

How to set-up a knock-sensor signal-conditioning system

By Yvette Tran

Automotive System Applications Engineer

Introduction

Engine knock occurs in engine cylinders because of improper ignition timing or faulty components. Modern cars incorporate knock-sensor systems for engines to minimize knocking, which can maximize engine lifetime, increase power, and improve fuel efficiency. This article discusses engine knock basics and how to set up a knock-sensor signal-conditioning system.

Basics of engine knock

Engine knock, or detonation, is uncontrolled ignition of pockets of air and fuel mixture in a cylinder in addition to the pocket initiated by the spark plug. Engine knock can greatly increase cylinder pressure, damage engine components, and cause a pinging sound.

In normal combustion, an internal-combustion engine burns the air and fuel mixture in a controlled fashion. Combustion should start a few crankshaft degrees prior to the piston passing the top dead center. This timing advance is necessary because it takes time for the air and fuel mixture to fully burn and it varies with engine speed and load. If timed correctly, maximum cylinder pressure occurs a few crankshaft degrees after the piston passes the top dead center. The completely ignited air and fuel mixture then pushes the piston down with the greatest force, resulting in the maximum torque applied to the crankshaft for each cycle.

Today's engines are designed to minimize emissions and maximize power as well as fuel economy. This can be achieved by optimizing the ignition spark timing to maximize the torque. With this timing control, the spark plug ignites the air and fuel mixture from the ignition point to the cylinder walls and burns it smoothly at a particular rate. Deviations from normal combustion, such as igniting too soon, can cause engine knock and, in extreme cases, result in permanent engine damage. Other causes of engine knock include using the wrong octane gasoline or defective ignition components.

Signal-conditioner interface

Modern cars have a knock-sensor system to detect engine knock for each cylinder during a specified time after top dead center called the knock window. A typical system consists of a piezoelectric sense element and signal conditioner. The sensor detects vibrations and the signal conditioner processes the signal and sends a voltage signal to the engine control module. The module interprets the knock signal to control timing and improve engine efficiency. Knock sensors typically are mounted on the engine block (Figure 1).

Figure 1. Knock sensor mounted to an engine block

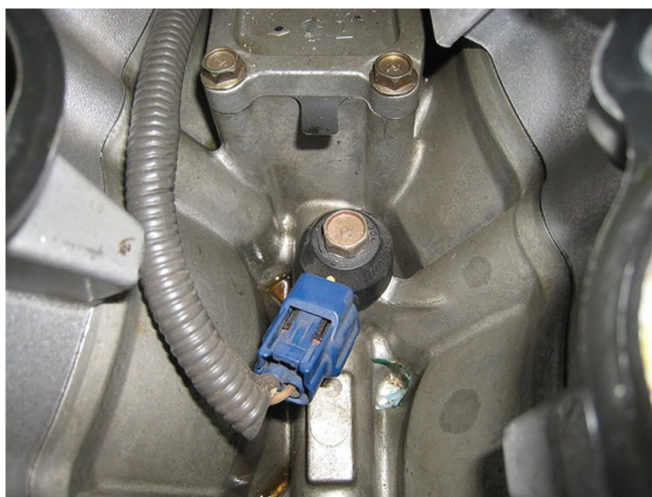
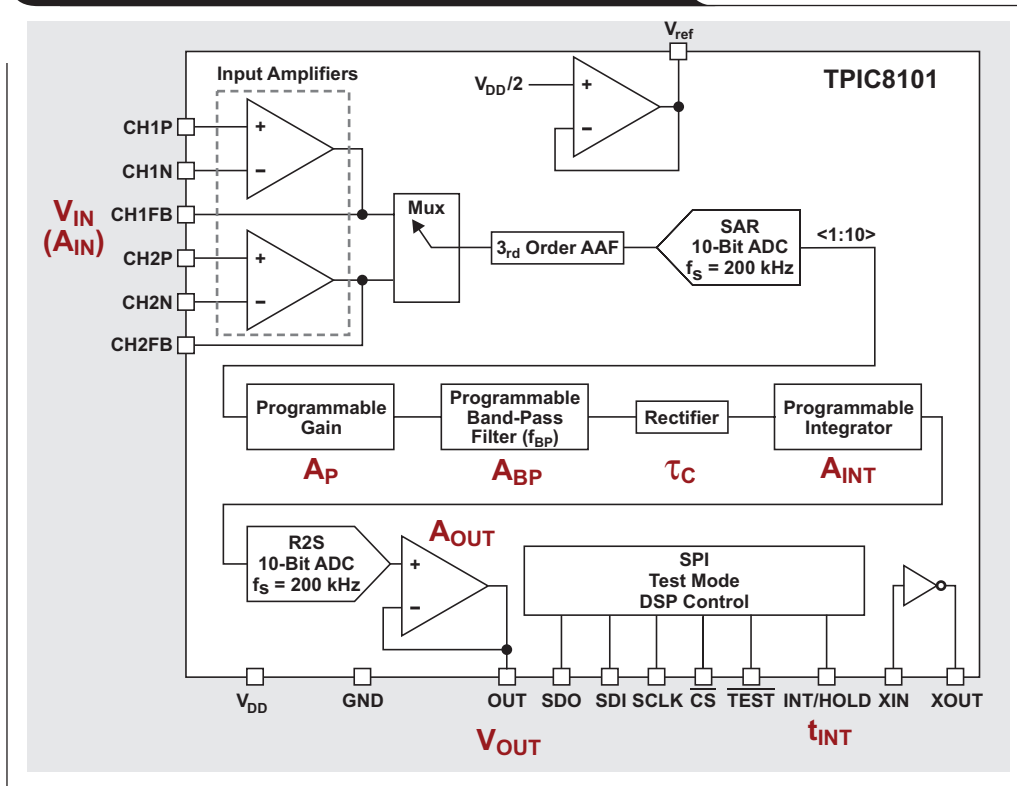


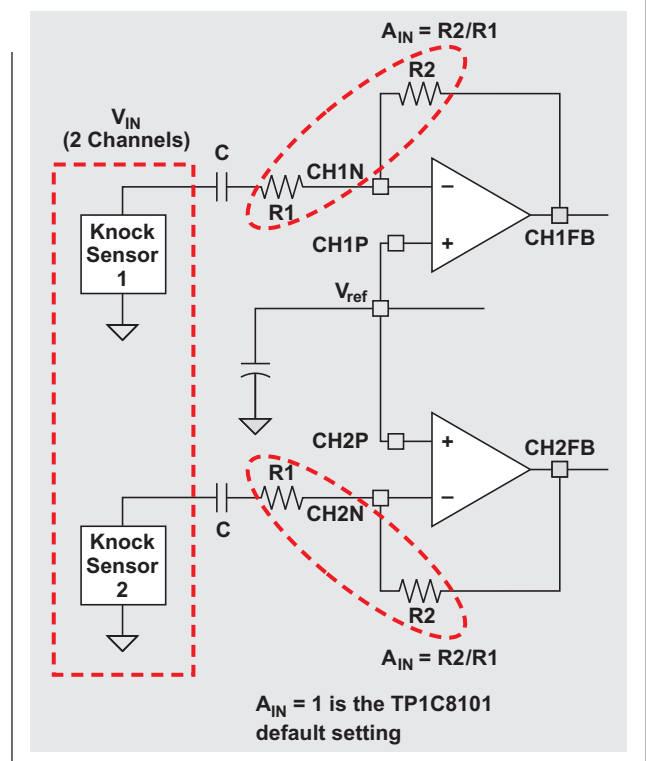
Figure 2. TPIC8101 block diagram with coefficients



Coefficient descriptions:
 V_{IN} = Amplitude of input voltage peak
 V_{OUT} = Output voltage
 A_{IN} = Input amplifier gain setting
 A_P = Programmable gain setting
 A_{BP} = Gain of bandpass filter
 A_{INT} = Gain of integrator
 t_{INT} = Integration time from 0.5 ms to 10 ms
 A_{OUT} = Output buffer gain
 τ_C = Programmable integrator time constant
 V_{RESET} = Reset voltage from which the integration operation starts

The simplified diagram in Figure 2 shows the TPIC8101 dual-channel, highly-integrated, signal-conditioner interface from Texas Instruments that can be connected between the knock-sensing element and engine control module. The two internal wide-band amplifiers (Figure 3) provide interface to the piezoelectric sensors. The outputs of the amplifiers feed a channel-select mux switch (Figure 2), followed by a third-order anti-aliasing filter (AAF). The signal is then converted using an analog-to-digital converter (ADC) prior to the programmable gain stage. The gain stage feeds the signal to a programmable bandpass filter to process the particular frequency component associated with the engine and knock sensor. The output of the bandpass filter is full-wave rectified and then integrated based on a programmed time constant and integration time period. At the start of each knock window, the integrator output is reset. The integrated signal is converted to an analog format with a digital-to-analog (DAC), but can be connected directly to a microprocessor. The processor reads the data and adjusts the spark-ignition timing to reduce knock while optimizing fuel efficiency relative to load and engine RPM.

Figure 3. Detail of interface to input amplifiers



Internal blocks

The operation of the signal-conditioner interface is defined by its transfer function:

$$V_{OUT} = V_{IN} \times A_P \times \frac{8}{\pi} \times \frac{t_{INT}}{\tau_C} + 0.125 \quad (1)$$

This equation is based off of the internal blocks of the signal conditioner. The equation's component values are then programmed into the device by the graphical user interface (GUI) through a serial peripheral interface (SPI) port.

Derivation of transfer function

The following steps outline how Equation 1 was derived from the functional blocks in Figure 2.

To begin derivation, the output voltage is defined as:

$$V_{OUT} = V_{IN} \times A_{IN} \times A_P \times A_{BP} \times A_{INT} \times \frac{t_{INT}}{\tau_C} \times A_{OUT} + V_{RESET} \quad (2)$$

Let the amplitude of V_{IN} be equal to:

$$V_{IN} = \sin(A \times t) \times V_{IN} \quad (3)$$

$$\text{Also, let: } t_{INT} = \frac{N}{f_{BP}} \text{ and } B = \frac{\pi}{A}, \quad (4)$$

where f_{BP} is the filter center frequency and N is the number of cycles.

$$\text{Therefore, } A = \pi \times f_{BP} \text{ and } B = \frac{1}{f_{BP}}. \quad (5)$$

The integrator operation is performed N times from 0 to B. This will cover the positive side of the input. Full-wave rectification is compensated later through the other gain coefficients. Substitute V_{IN} and integrate from 0 to $1/f_{BP}$

$$V_{OUT} = N \times \int_0^{1/f_{BP}} V_{IN} \times \sin(\pi \times f_{BP} \times t) dt \times A_{IN} \times A_P \times A_{BP} \times A_{INT} \times \frac{1}{\tau_C} \times A_{OUT} + V_{RESET} \quad (6)$$

$$V_{OUT} = N \times \frac{1}{\pi \times f_{BP}} \times V_{IN} \times \left[-\cos(\pi \times f_{BP} \times t) \right]_0^{1/f_{BP}} dt \times A_{IN} \times A_P \times A_{BP} \times A_{INT} \times \frac{1}{\tau_C} \times A_{OUT} + V_{RESET} \quad (7)$$

Substitute for N:

$$V_{OUT} = (t_{INT} \times f_{BP}) \times \frac{1}{\pi \times f_{BP}} \times V_{IN} \times [-\cos(\pi) + 1] dt \times A_{IN} \times A_P \times A_{BP} \times A_{INT} \times \frac{1}{\tau_C} \times A_{OUT} + V_{RESET} \quad (8)$$

$$V_{OUT} = \frac{t_{INT} \times V_{IN}}{\pi} \times [1 + 1] dt \times A_{IN} \times A_P \times A_{BP} \times A_{INT} \times \frac{1}{\tau_C} \times A_{OUT} + V_{RESET} \quad (9)$$

$$V_{OUT} = \frac{V_{IN}}{\pi} \times 2 \times A_{IN} \times A_P \times A_{BP} \times A_{INT} \times \frac{t_{INT}}{\tau_C} \times A_{OUT} + V_{RESET} \quad (10)$$

Let $A_{INT} = 2$, $A_{IN} = A_{OUT} = 1$, $V_{RESET} = 0.125$, and

$$A_{BP} = \frac{2 \times \frac{\omega_c \times \omega}{Q_{BP}}}{\sqrt{\left(\omega_c^2 - \omega^2\right)^2 + \left(\omega_c \times \frac{\omega}{Q_{BP}}\right)^2}}, \quad (11)$$

where Q_{BP} is a Q factor that characterizes a resonator's bandwidth relative to its center frequency.

Evaluate at the center frequency, $\omega = \omega_c$. Therefore, $A_{BP} = 2$. Plug in all values for A_{INT} , A_{IN} , A_{OUT} , A_{BP} , V_{RESET} to get:

$$V_{OUT} = \frac{V_{IN}}{\pi} \times 2 \times A_P \times 2 \times 2 \times \frac{t_{INT}}{\tau_C} + 0.125, \quad (12)$$

where V_{IN} is entered as a peak value.

Therefore, the final solution is Equation 1:

$$V_{OUT} = V_{IN} \times A_P \times \frac{8}{\pi} \times \frac{t_{INT}}{\tau_C} + 0.125$$

Application example

Next are the steps necessary to set up the signal conditioner.

Requirements

The required known values are V_{IN} , oscillation frequency, t_{INT} , and V_{OUT} . For this example, the known values are:

- $V_{IN} = 7.3$ kHz, 300 mV_{PP} (knock sensor specification)
- Oscillator = 6 MHz (microprocessor clock specification)
- Knock window (t_{INT}) = 3 ms (system specification)
- $V_{OUT} = 4.5$ V (microprocessor interface specification)

Calculating remaining coefficients

Now that A_{INT} , A_{OUT} , A_{BP} , V_{RESET} are set, the remaining coefficients need to be calculated:

- Programmable gain (A_P)
- Integration time constant (τ_C)
- Input amplifier gain (A_{IN}): Set $A_{IN} = 1$

$$\tau_C = \frac{t_{INT}}{2 \times \pi \times V_{OUT}} = \frac{3 \text{ ms}}{2 \times \pi \times 4.5 \text{ V}} = 106 \mu\text{s} \quad (13)$$

With known values, Equation 1 can now be solved for A_P :

$$4.5 \text{ V} = 150 \text{ mV} \times A_P \times \frac{8}{\pi} \times \frac{3 \text{ ms}}{100 \mu\text{s}} + 0.125 \rightarrow A_P = 0.38 \quad (14)$$

Note that the 100- μs value for τ_C reflects a minor adjustment required to program the value as indicated in the following discussion.

How to program coefficients

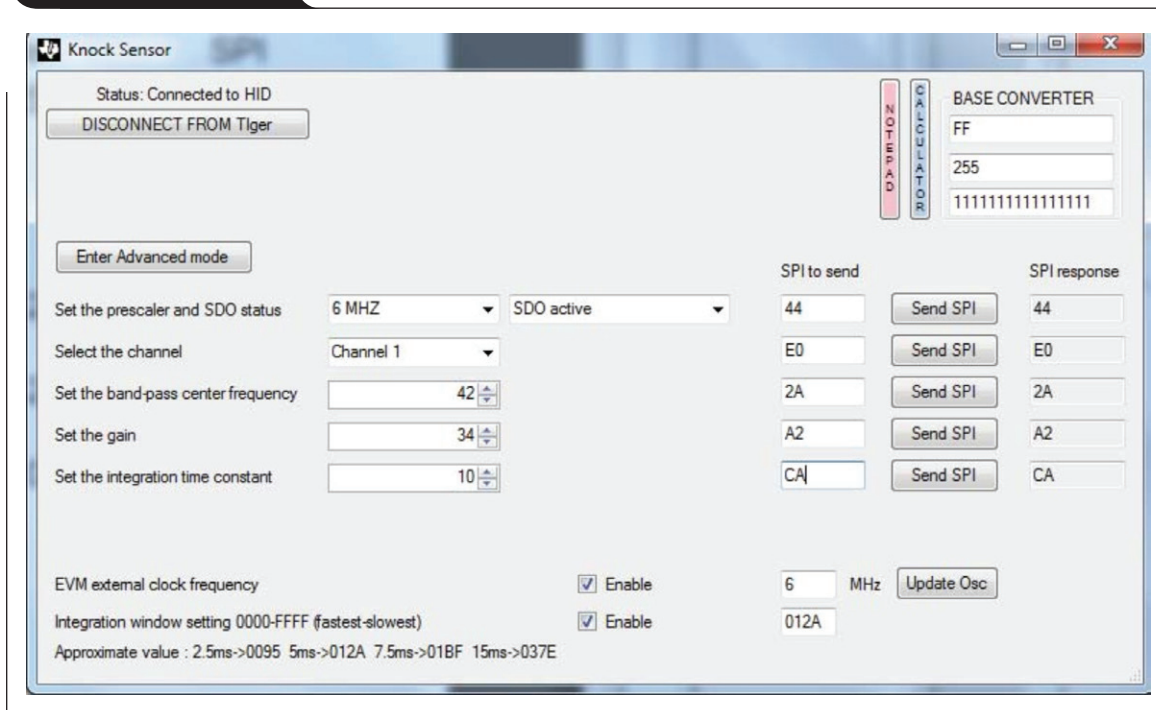
After the coefficients have been calculated, they need to be entered into the GUI. The following paragraph is an overview of the data values that would be entered with the GUI software for the TIDA-00152 reference design (See Reference 1).

For f_C , Table 1 shows that the closest bandpass frequency to 7.3 kHz is 7.27 kHz, which corresponds to a decimal value of 42 and a hex value of 2A. For A_P , the closest value to 0.38 in Table 1 is 0.381, which corresponds to a decimal value of 34 and a hex value of 22. For τ_C , the closest value to 106 μs in Table 1 is 100 μs , which corresponds to a decimal value of 10 and a hex value of 0A.

Table 1. Part of SPI look up table from page 10 in the TPIC8101 datasheet

τ_C			A_P		A_P	
DECIMAL VALUE (D4...D0)	INTEGRATOR TIME CONSTANT (μSEC)	BAND-PASS FREQUENCY (kHz)	GAIN	DECIMAL VALUE (D5...D0)	BAND-PASS FREQUENCY (kHz)	GAIN
0	40	1.22	2	32	4.95	0.421
1	45	1.26	1.882	33	5.12	0.4
2	50	1.31	1.778	34	5.29	0.381
3	55	1.35	1.684	35	5.48	0.364
4	60	1.4	1.6	36	5.68	0.348
5	65	1.45	1.523	37	5.9	0.333
6	70	1.51	1.455	38	6.12	0.32
7	75	1.57	1.391	39	6.37	0.308
8	80	1.63	1.333	40	6.64	0.296
9	90	1.71	1.28	41	6.94	0.286
10	100	1.78	1.231	42	7.27	0.276
11	110	1.87	1.185	43	7.63	0.267
12	120	1.96	1.143	44	8.02	0.258

Figure 4. GUI values



Enter in 6 MHz for the oscillator frequency and 1 for the number of channels. GUI values should look like those in Figure 4.

Following the previous steps should result in the waveform in Figure 5. For more waveforms with different degrees of amplitude modulation, see the TIDA-00152 reference design test data in Reference 1.

Conclusion

Engine knock control is necessary for optimal engine performance and for protecting the engine. The dual-channel input and advanced signal conditioning of the TPIC8101 knock-sensor interface reduces the processing load on the engine control module.

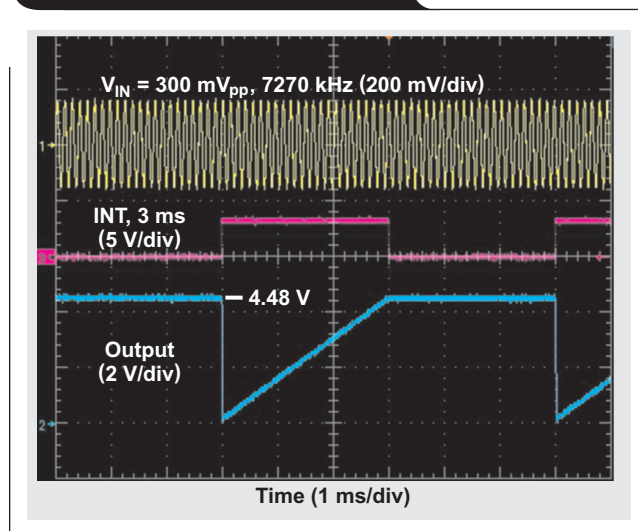
References

1. TIDA-00152 reference design for Automotive Acoustic Knock-Sensor Interface. Includes links to schematic/block diagram, test data, design files, and bill of materials. Available: www.ti.com/3q14-tida00152

Related Web sites

TPIC8101 product folder:
www.ti.com/3q14-tpic8101
 TPIC8101 EVM User's Guide:
www.ti.com/3q14-tdid287
 TPIC8101 Datasheet:
www.ti.com/3q14-SLIS110
 Subscribe to the AAJ:
www.ti.com/subscribe-aaaj

Figure 5. Example waveform



TI Worldwide Technical Support

Internet

TI Semiconductor Product Information Center Home Page

support.ti.com

TI E2E™ Community Home Page

e2e.ti.com

Product Information Centers

Americas	Phone	+1(512) 434-1560
Brazil	Phone	0800-891-2616
Mexico	Phone	0800-670-7544
	Fax	+1(972) 927-6377
	Internet/Email	support.ti.com/sc/pic/americas.htm

Europe, Middle East, and Africa

Phone		
European Free Call	00800-ASK-TEXAS (00800 275 83927)	
International	+49 (0) 8161 80 2121	
Russian Support	+7 (4) 95 98 10 701	

Note: The European Free Call (Toll Free) number is not active in all countries. If you have technical difficulty calling the free call number, please use the international number above.

Fax	+ (49) (0) 8161 80 2045
Internet	www.ti.com/asktexas
Direct Email	asktexas@ti.com

Japan

Fax	International	+81-3-3344-5317
	Domestic	0120-81-0036
Internet/Email	International	support.ti.com/sc/pic/japan.htm
	Domestic	www.tij.co.jp/pic

Asia

Phone	<u>Toll-Free Number</u>
Note: Toll-free numbers may not support mobile and IP phones.	
Australia	1-800-999-084
China	800-820-8682
Hong Kong	800-96-5941
India	000-800-100-8888
Indonesia	001-803-8861-1006
Korea	080-551-2804
Malaysia	1-800-80-3973
New Zealand	0800-446-934
Philippines	1-800-765-7404
Singapore	800-886-1028
Taiwan	0800-006800
Thailand	001-800-886-0010
International	+86-21-23073444
Fax	+86-21-23073686
Email	tiasia@ti.com or ti-china@ti.com
Internet	support.ti.com/sc/pic/asia.htm

Important Notice: The products and services of Texas Instruments Incorporated and its subsidiaries described herein are sold subject to TI's standard terms and conditions of sale. Customers are advised to obtain the most current and complete information about TI products and services before placing orders. TI assumes no liability for applications assistance, customer's applications or product designs, software performance, or infringement of patents. The publication of information regarding any other company's products or services does not constitute TI's approval, warranty or endorsement thereof.

A021014

IMPORTANT NOTICE

Texas Instruments Incorporated and its subsidiaries (TI) reserve the right to make corrections, enhancements, improvements and other changes to its semiconductor products and services per JESD46, latest issue, and to discontinue any product or service per JESD48, latest issue. Buyers should obtain the latest relevant information before placing orders and should verify that such information is current and complete. All semiconductor products (also referred to herein as "components") are sold subject to TI's terms and conditions of sale supplied at the time of order acknowledgment.

TI warrants performance of its components to the specifications applicable at the time of sale, in accordance with the warranty in TI's terms and conditions of sale of semiconductor products. Testing and other quality control techniques are used to the extent TI deems necessary to support this warranty. Except where mandated by applicable law, testing of all parameters of each component is not necessarily performed.

TI assumes no liability for applications assistance or the design of Buyers' products. Buyers are responsible for their products and applications using TI components. To minimize the risks associated with Buyers' products and applications, Buyers should provide adequate design and operating safeguards.

TI does not warrant or represent that any license, either express or implied, is granted under any patent right, copyright, mask work right, or other intellectual property right relating to any combination, machine, or process in which TI components or services are used. Information published by TI regarding third-party products or services does not constitute a license to use such products or services or a warranty or endorsement thereof. Use of such information may require a license from a third party under the patents or other intellectual property of the third party, or a license from TI under the patents or other intellectual property of TI.

Reproduction of significant portions of TI information in TI data books or data sheets is permissible only if reproduction is without alteration and is accompanied by all associated warranties, conditions, limitations, and notices. TI is not responsible or liable for such altered documentation. Information of third parties may be subject to additional restrictions.

Resale of TI components or services with statements different from or beyond the parameters stated by TI for that component or service voids all express and any implied warranties for the associated TI component or service and is an unfair and deceptive business practice. TI is not responsible or liable for any such statements.

Buyer acknowledges and agrees that it is solely responsible for compliance with all legal, regulatory and safety-related requirements concerning its products, and any use of TI components in its applications, notwithstanding any applications-related information or support that may be provided by TI. Buyer represents and agrees that it has all the necessary expertise to create and implement safeguards which anticipate dangerous consequences of failures, monitor failures and their consequences, lessen the likelihood of failures that might cause harm and take appropriate remedial actions. Buyer will fully indemnify TI and its representatives against any damages arising out of the use of any TI components in safety-critical applications.

In some cases, TI components may be promoted specifically to facilitate safety-related applications. With such components, TI's goal is to help enable customers to design and create their own end-product solutions that meet applicable functional safety standards and requirements. Nonetheless, such components are subject to these terms.

No TI components are authorized for use in FDA Class III (or similar life-critical medical equipment) unless authorized officers of the parties have executed a special agreement specifically governing such use.

Only those TI components which TI has specifically designated as military grade or "enhanced plastic" are designed and intended for use in military/aerospace applications or environments. Buyer acknowledges and agrees that any military or aerospace use of TI components which have **not** been so designated is solely at the Buyer's risk, and that Buyer is solely responsible for compliance with all legal and regulatory requirements in connection with such use.

TI has specifically designated certain components as meeting ISO/TS16949 requirements, mainly for automotive use. In any case of use of non-designated products, TI will not be responsible for any failure to meet ISO/TS16949.

Products

Audio	www.ti.com/audio
Amplifiers	amplifier.ti.com
Data Converters	dataconverter.ti.com
DLP® Products	www.dlp.com
DSP	dsp.ti.com
Clocks and Timers	www.ti.com/clocks
Interface	interface.ti.com
Logic	logic.ti.com
Power Mgmt	power.ti.com
Microcontrollers	microcontroller.ti.com
RFID	www.ti-rfid.com
OMAP Applications Processors	www.ti.com/omap
Wireless Connectivity	www.ti.com/wirelessconnectivity

Applications

Automotive and Transportation	www.ti.com/automotive
Communications and Telecom	www.ti.com/communications
Computers and Peripherals	www.ti.com/computers
Consumer Electronics	www.ti.com/consumer-apps
Energy and Lighting	www.ti.com/energy
Industrial	www.ti.com/industrial
Medical	www.ti.com/medical
Security	www.ti.com/security
Space, Avionics and Defense	www.ti.com/space-avionics-defense
Video and Imaging	www.ti.com/video

TI E2E Community

e2e.ti.com