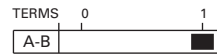


auto electrical parts

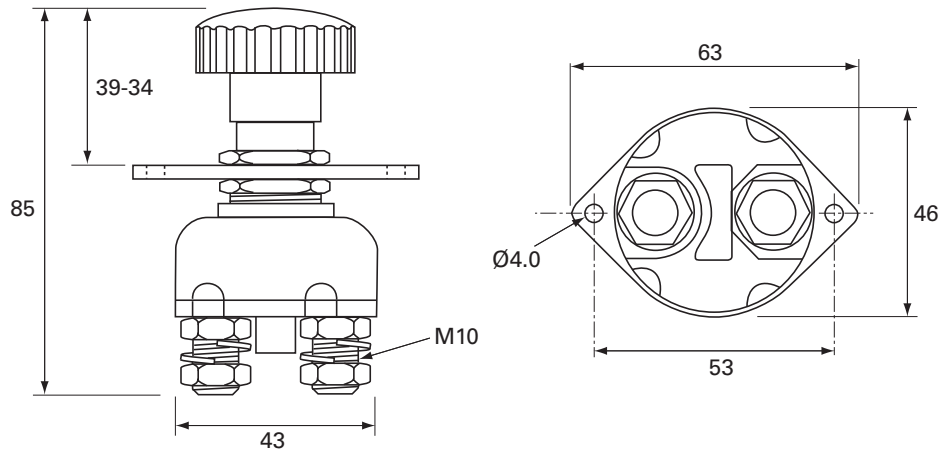
Technical Information Sheet

Part No. 0-605-02

Battery isolator. Rated 100 amp at 24 volts and 500 amps for 5 seconds. M10 studs, requires 19.5mm hole and two 4mm fixing holes. Replaces SSB103.



Technical Drawing (not to scale)



Specification

Type	Battery isolator switch
Current rating @ 24vdc	100 amp continuous, 500 amp for 5 seconds
Terminal studs	Copper
Nuts	Brass
Weight	220g
Dimensions	l 63 x w 46 x h 85mm

The information contained in this document is correct to the best of our knowledge at the time of printing. However, specifications may change at any time without notice.