

AUSTIN SERVICE JOURNAL

 Distributor & Dealer
Organization

No. A / 437

Fleet Users

No. AF / 204

16 November 1961

SEAT BELTS

HEALEY SPRITE
HEALEY 100 SIX
HEALEY 3000

Seat belts with anchorage fittings for either driver's or front passenger's use are available as follows:-

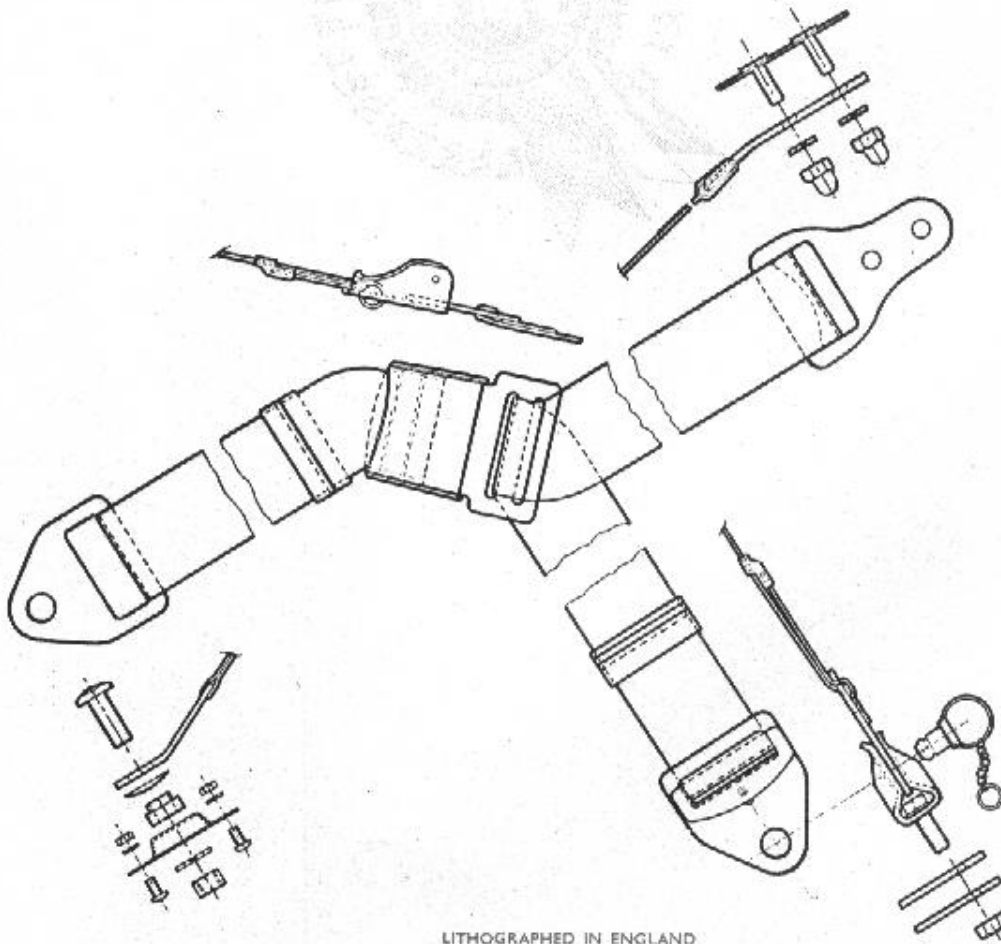
Healey Sprite (AN5) Part No. AHA6263

Healey 100 Six (BN4 & BN6) Part No. AHB9141

Healey 3000 (BN7 & BT7) up to Car No. 13750 Part No. AHB9141

The harness comprises a long and short belt both adjustable for length. The bracket with adjuster, of the long belt is fitted to the sill or floor and the other one to the wheelarch. The bracket on the short belt at the opposite end to the buckle is fitted to the side of the drive shaft tunnel.

Note: It is important that the short belt is fitted to the same side of the tunnel as the seat for which the belt is to be used.



Healey 100 Six & 3000

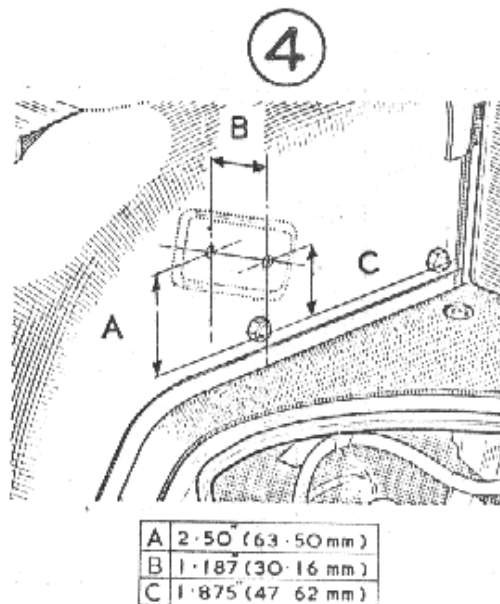
Rear Wheelarch - Fig.4

Remove the hood and hood sticks and the carpet trim from the platform adjacent to the hood stick socket. Detach the corner finisher from the forward end of the platform, remove the screw in the centre of the wood block and the retaining screw at the approximate centre of the platform.

Remove the four screws retaining the rear seat to the seat pan and detach the seat.

Gently ease the side trim pad from the rear retainer and retainer on the front wall of the seat pan. Move the trim pad carefully forward to expose the wheelarch. Mark off and drill two 1 1/32" (8.73 mm.) diameter holes in the wheelarch as illustrated, using the centres of the two existing weld nuts as a datum. The area of the wheelarch must be raised around the holes to receive the reinforcement plate attached to the two weld-bolts. The plate MUST lie flush with the outer face of the wheelarch.

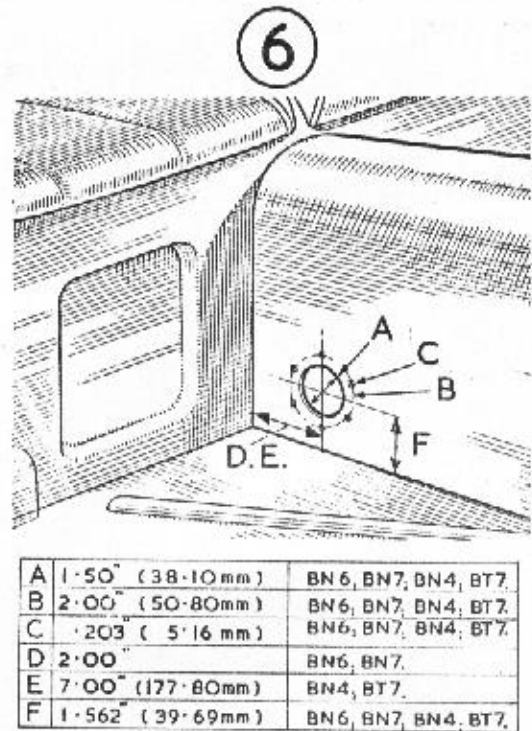
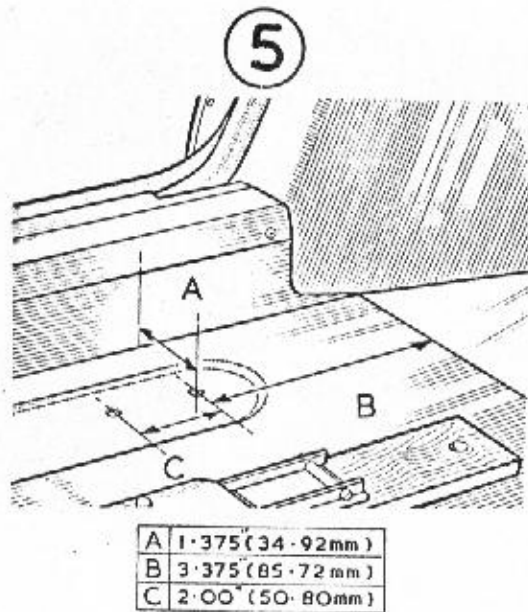
Refit the trim pad, woodblock, finisher and carpet trim. Punch two holes in the side trim pad to correspond with the holes in the wheelarch and fit the reinforcement plate from the outside of the wheelarch. Secure the belt bracket to the wheelarch with the capped nuts and spring washers.



Floor Mounting - Fig.5

Remove the carpet and felt. Drill two 11/32" (8.73 mm.) diameter holes in the floor as illustrated. Fit the hexagon headed setscrews and spring washers to the quick release bracket (quick release pin must face towards the door sill) and with a reinforcement plate each side of the floor panel secure the quick release bracket with the nuts provided.

Note: The quick release pin is not used as such on these cars.



Drive Shaft Tunnel - Fig.6

Remove the carpet and felt. Cut a 1 1/2" (38.1 mm.) diameter hole in the tunnel as illustrated, using dimension 'D' for BN6 & BN7 cars and dimension 'E' for BN4 & BT7. Then drill six 13/64" (5.16 mm.) diameter holes round this hole equally spaced on a 2" (50.80 mm.) pitch circle diameter as illustrated, using the mounting bracket as a template.

Fit the mounting bracket from the underside of the tunnel with its projection facing into the car, and secure the bracket with the six No.10 UNF pan head screws, the nuts and spring washers to face the interior of the car.

Cut a 1" (25.4 mm.) diameter hole in the carpet and felt to clear the projection of the mounting bracket and replace the felt and carpet.

With the belt bracket facing away from the centre-line of the car, assemble the 7/16" (11.11 mm.) hexagon head screw to the belt bracket followed by the anti-rattle washer (concave face to bracket), shouldered distance piece (larger diameter next to tunnel) and secure with the nut and spring washer from inside the tunnel.