

# Lucas Distributor Database

## Austin Healey 100, 100-6, 3000

Service #	Model	BMC #	ECM Curve	Rot'n	rpm 1	Adv 1 +/- 1°	rpm 2	Adv 2 +/- 1°	rpm 3	Adv 3 +/- 1°	No Adv Below	Vacuum Code	Years	Vehicle Make	Vehicle Models
40320 A / B	DM2P4	11B479	430	CW	2500	17	1250	9	600	2	325	7 / 18 / 12	1953-1956	Austin Healey	100 BN 1 / 2 to C.E.230360
40495 A	DM2P4		430	CW	2500	17	1250	9	600	2	325		1956	Austin Healey	100 BN 2 from C.E.230361
40422 A	DM2P4		569	CW		17						5 / 17 / 10		Austin Healey	100 M - early
40520 A	DM2P4		569	CW		17								Austin Healey	100 M - late
40532 A	DM6	AEJ25	583	CCW	1500	12	500	8	300	3	150	5 / 12 / 8	1957-1958	Austin Healey	100-6 BN4 to C.E.41606
40581 A / B	DM6	AEJ25	659	CCW	2000	15	500	4.5	400	1.5	300	5 / 12 / 8	1958-1959	Austin Healey	100-6 BN4 from C.E.41607; BN6
40662 A / D	DM6	AEJ25	659	CCW	2000	15	1150	13	500	4.5	300	5 / 12 / 8	1959-1963	Austin Healey	3000 MkI/II BJ7 to (e)29F-H3562
40920 A	25D6	12B684		CCW	2000	15	650	7.5	400	1.5	300	5 / 12 / 8	1963-1964	Austin Healey	3000 MkII BJ7 from (E)29F-H3563
40966 A	25D6	12B825		CCW	3200	18	850	3	550	2	300	5 / 12 / 8	1964	Austin Healey	3000 MkIII BJ8

Source: 1. Lucas Test Data Manual, Section 5

2. Marcel Chichak, TDC Engineering [chichm@telusplanet.net](mailto:chichm@telusplanet.net)

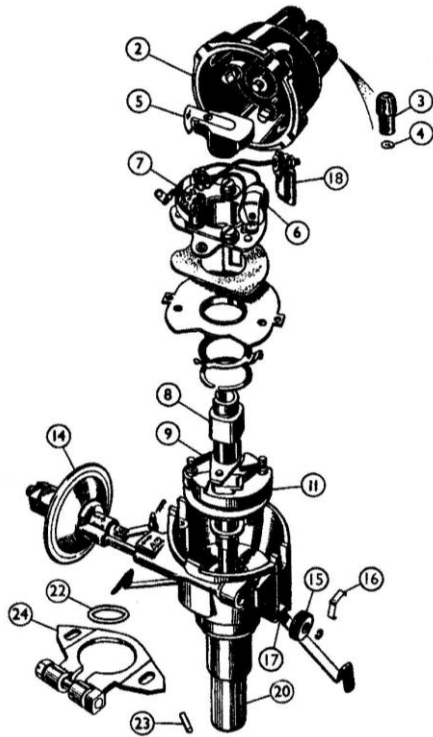
-- from 2006 version of "Lucas Distributor Database"

<http://www.planet.eon.net/~chichm/tech.htm>

<http://www.starchak.ca>

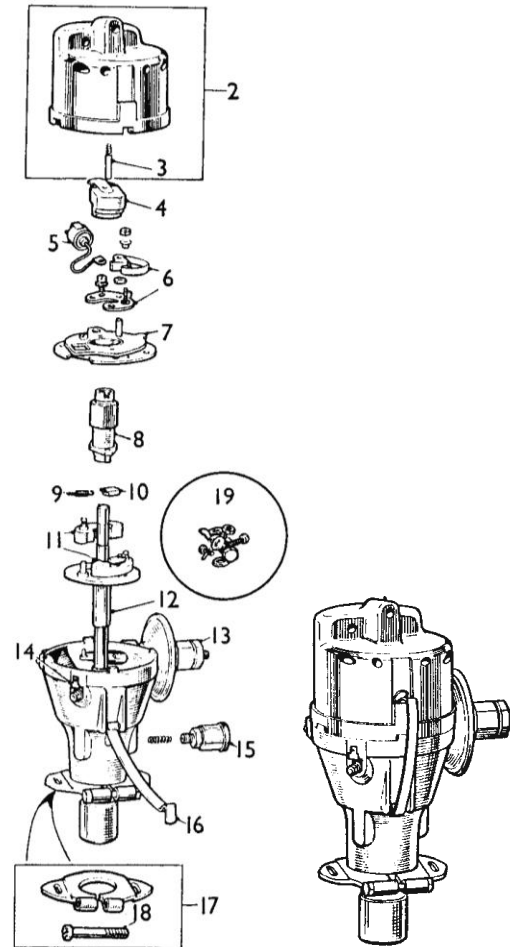
<http://www.TDCperformance.ca> [ re 123 Electronic Distributor ]

**Ignition System-- Distributors: 100, 100-6, 3000**



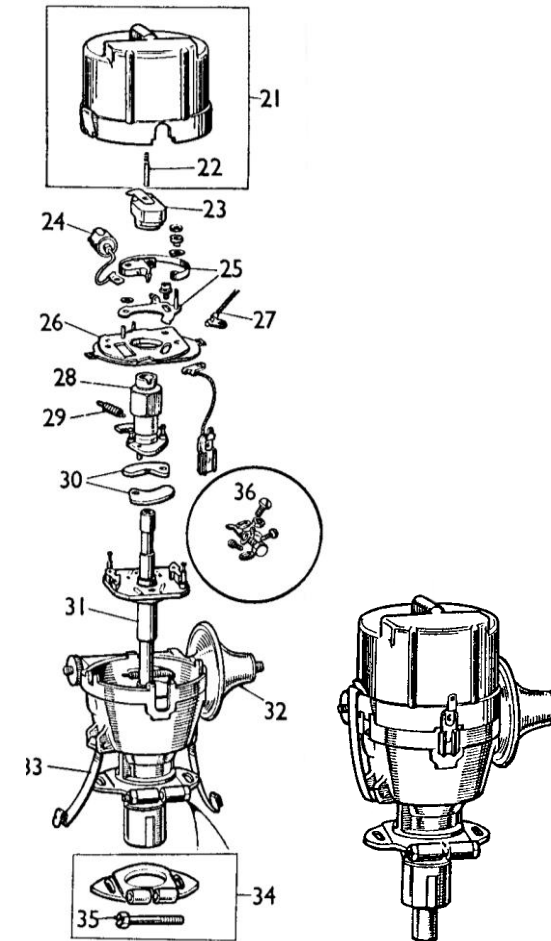
**Model DM2 P4**

Lucas no. 40320 BN1, BN2 to C.E.230360  
 Lucas no. 40495 BN2 from C.E.230361  
 Lucas no. 40422 100M early  
 Lucas no. 40520 100M late



**Model DM6A**

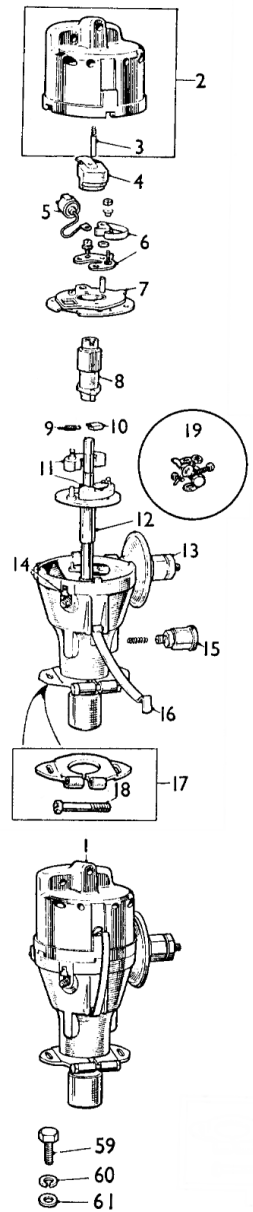
Lucas no. 40532 BN4 to C.E.41606  
 Lucas no. 40581 BN4 from C.E.41607; BN6  
 Lucas no. 40662 BN7, BT7, BJ7 to (E) 29F-H3562



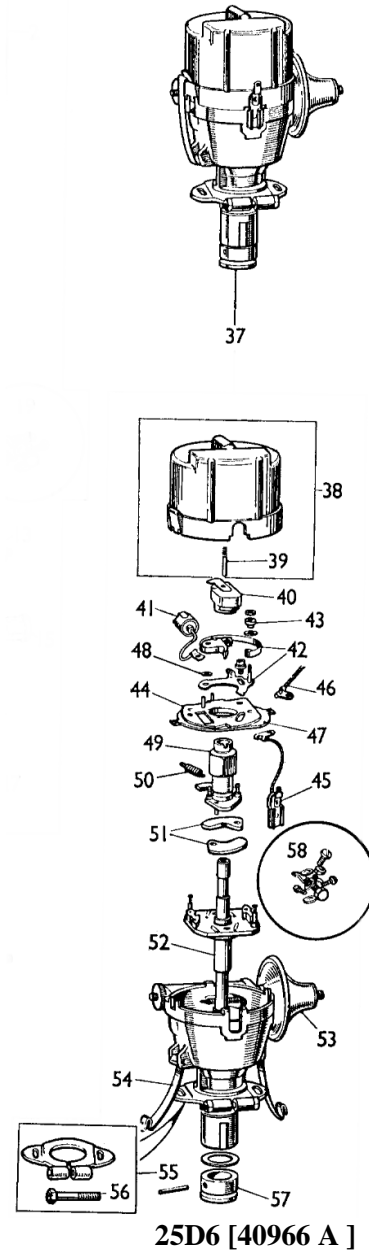
**Model 25D6**

Lucas no. 40920 BJ7 from (E) 29F-H3563  
 Lucas no. 40966 BJ8 from (E) 29K-H101

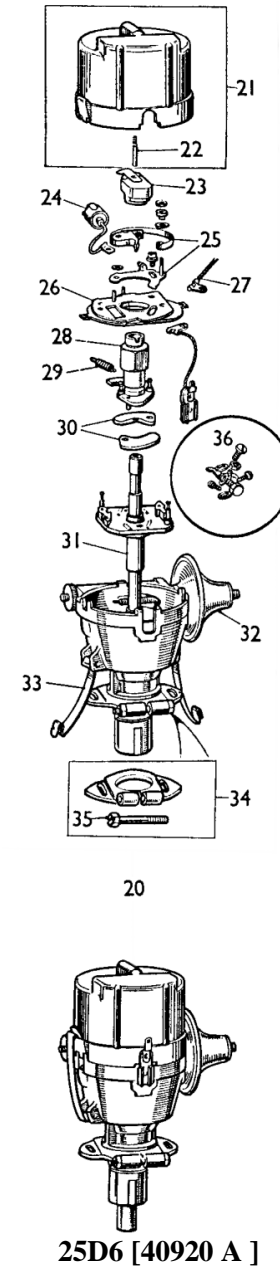
Sources: BMC Mechanical Service Parts List AKD1151 – Page B1; BMC Service Parts List AKD3523 – Page MB 1-1 and Plate B1 ; Moss Motors Catalogue 08-2004 – page 91



DM6A [40662 A/D]



25D6 [40966 A ]



25D6 [40920 A ]

Lucas Distributor Database

Austin Healey 100, 100-6, 3000

Vehicle	Service #	Model	BMC #	Engine	ECM Curve	Rot'n	1		2		3		No Adv Below	Vacuum Code	Years
Model							RPM	Advance	RPM	Advance	RPM	Advance			
100 BN 1/2 to C.E.230360	40320 A/B	DM2P4	11B 479	1B	430	CW	2500	17	1250	9	600	2	325	7 / 18 / 12	1953-1956
100 M - Early	40422 A	DM2P4		1B	569	CW		17						5 / 17 / 10	
100 BN 2 from C.E.230361	40495 A	DM2P4	11B 479		430	CW	2500	17	1250	9	600	2	325		1956
100 M - Late	40520 A	DM2P4	27H 5579		569	CW		17							
100-6 BN4 to C.E.41606	40532 A	DM6	AEC 816	1C	583	CCW	1500	12	500	8	300	3	150	5 / 12 / 8	1957-1958
100-6 BN4 from C.E.41607; BN6	40581 A/B	DM6		26D	659	CCW	2000	15	500	4.5	400	1.5	300	5 / 12 / 8	1958-1959
3000 MkI/II BJ7 to (e)29F-H3562	40662 A/D	DM6	12B 684	29D/E/F	659	CCW	2000	15	1150	13	500	4.5	300	5 / 12 / 8	1959-1963
3000 MkII BJ7 from (e)29F-H3563	40920 A	25D6	12B 823	29F		CCW	2000	15	650	7.5	400	1.5	300	5 / 12 / 8	1963-1964
3000 MkIII BJ8	40966 A	25D6	12B 825	29K		CCW	3200	18	850	3	550	2	300	5 / 12 / 8	1964

- Source: # 1 Marcel Chichak, TDC Engineering [chichm@telusplanet.net](mailto:chichm@telusplanet.net)  
 "Lucas Distributor Database" - 2006 <http://www.starchak.ca>
- Source: # 2 Lucas Catalogue 400E, 1945 - 1960; Section F
- Source: # 3 BMC 1966 "Fast Moving Parts List" with Lucas-BMC Cross Reference, Section C
- Source: # 4 Lucas 1973 "Fast Moving Parts Catalogue" with Supersessions & Lucas-BMC Cross Reference
- Source: # 5 Lucas "Test Data Manual", Section 5

Prepared by : J. Scott Morris [jstmorris@yahoo.com](mailto:jstmorris@yahoo.com) Aug 2006

Filed: C:\British Cars\Austin Healey\Tech\B - Ignition\Distributors\Data Base\Distributor Data Base.xls

Lucas Distributor Database

Austin Healey 100, 100-6, 3000

Vehicle Model	100 BN 1/2 T- C.E.230360	100 M Early	100 BN 2 F- C.E.230361	100 M Late	100-6 BN4 T- C.E.41606	100-6 BN4 F- C.E.41607; BN6	3000 MkI/II BJ7 T- (E)29F-H3562	3000 MkII BJ7 F- (E)29F-H3563	3000 MkIII BJ8
Service #	40320 A/B	40422 A	40495 A	40520 A	40532 A	40581 A/B	40662 A/D	40920 A	40966 A
Model	DM2P4	DM2P4	DM2P4	DM2P4	DM6	DM6	DM6	25D6	25D6
Years	1953-56		1956		1957-58	1958-59	1959-63	1963-64	1964
Engine	1B	1B			1C	26D	29D/E/F	29F	29K
BMC #	11B 479		11B 479	27H 5579	AEC 816		12B 684	12B 823	12B 825
ECM Curve	430	569	430	569	583	659	659		
Range	16° - 18°	15° - 17°	16° - 18°	16° - 18°	11.5° - 13°	14° - 16°	14° - 16°		
Rotation	CW	CW	CW	CW	CCW	CCW	CCW	CCW	CCW
RPM / Advance #1	2500 / 17	/ 17	2500 / 17	/ 17	1500 / 12	2000 / 15	2000 / 15	2000 / 15	3200 / 18
RPM / Advance #2	1250 / 9		1250 / 9		500 / 8	500 / 4.5	1150 / 13	650 / 7.5	850 / 3
RPM / Advance #3	600 / 2		600 / 2		300 / 3	400 / 1.5	500 / 4.5	400 / 1.5	550 / 2
No Advance Below	325		325		150	300	300	300	300
Vacuum Code	7 / 18 / 12	5 / 17 / 10			5 / 12 / 8	5 / 12 / 8	5 / 12 / 8	5 / 12 / 8	5 / 12 / 8
Type	BN215	YH13	BN216-1	YH13-1	A209-1	A222	A		
Plate/lever, clamping, timing or micrometer	421191	421191	421191	421191	421191	421191	421191		
Screw, or nut & screw assembly	415087	415087	415087	415087	415087	415087	415087	412202	412202
Spring, ratchet, micrometer	421825	421825	421825	421825	421825	421825	421825		
Spring, return, micrometer	419086	419086	419086	419086	419086	419086	419086		
Unit, vacuum control	420006	420755	54411727	54411233	54412033	421189	421189	5441550	54413360
Nut, adjusting micrometer	419087	419087	419087	419087	419087	419087	419087		

Vehicle Model	100 BN 1/2 T- C.E.230360	100 M Early	100 BN 2 F- C.E.230361	100 M Late	100-6 BN4 T- C.E.41606	100-6 BN4 F- C.E.41607; BN6	3000 MkI/II BJ7 T- (E)29F-H3562	3000 MkII BJ7 F- (E)29F-H3563	3000 MkIII BJ8
<b>Cap</b>	418865	418865	418865	418865	418861	418861	418861	418861	54413902
<b>Nut, cable securing</b>	410600	410600	410600	410600					
<b>Brush &amp; spring</b>	418856	418856	418856	418856	418856	418856	418856		
<b>Rotor arm</b>	400051	400051	400051	400051	418726	418726	418726	418726	418726
<b>Contact breaker, complete</b>									
<b>Contact set</b>	420196	420196	423153	423153	420197	420197	420197	54419946	54419946
<b>Condenser</b>	420302	54413002	423871	423871	423871	423871	423871	423871	423871
<b>Base plate, contact breaker</b>	418650	418650	422318	422318	419980	419980	419980		
<b>Plate, bearing, contact breaker</b>	420178	420178	421078	421078	420375	420375	420375		
<b>Spring, star, base fixing</b>	496043	496043			496058	496058	496058		
<b>Circlip, base fixing</b>	496042	496042			496059	496059	496059		
<b>Pin, terminal &amp; details, L.T.</b>	423369	423369	422238	422238	407019	407019	407019		
<b>Connector, Lucar</b>							199279		
<b>Bush, insulating, inside L.T.</b>		161353	161353	161353	408927	408927	408927		
<b>Piece/pad, shaped, insulating, L.T.</b>	418623				405319	405319	405319		
<b>Bush, contact breaker spring</b>	418933	418933	419950	419950	419950	419950	419950		
<b>Piece, insulating, contact breaker spring</b>	418935	418935							
<b>Lead or connector, L.T.</b>	418946	418946	422235	422235	419021	419021	419021	54413549	54413549
<b>Lead, earth</b>	418664	418664	421088	421088	419023	419023	419023		
<b>Cam</b>	496076	496076	496076	496076	496074	496074	496074	54413782	54412144
<b>Springs, set, auto-advance</b>	422243/S	421596	416155	421596	421851	421616	421616		

Vehicle Model	100 BN 1/2 T- C.E.230360	100 M Early	100 BN 2 F- C.E.230361	100 M Late	100-6 BN4 T- C.E.41606	100-6 BN4 F- C.E.41607; BN6	3000 MkI/II BJ7 T- (E)29F-H3562	3000 MkII BJ7 F- (E)29F-H3563	3000 MkIII BJ8
Toggle	418707	418707	418707	418707	418707	418707	418707		
Weight	418321	418321	418321	418321	418321	418321	418321		
Plate, shaft & action	419669	419669	419669	419669	421321	419913	419913	54410290	54416610
Lubricator					419525/S	419525/S	419525		
Bushing, bottom	419430	419430	419430	419430					
Clip, cap retaining	425765	425765	425765	425765	421824	421824	421824		
Sundry parts, set	419644	419644	419644	419644	419645	419645	419645		

- Source: # 1 Marcel Chichak, TDC Engineering [chichm@telusplanet.net](mailto:chichm@telusplanet.net)  
"Lucas Distributor Database" - 2006 <http://www.starchak.ca>
- Source: # 2 Lucas Catalogue 400E, 1945 - 1960; Section F
- Source: # 3 BMC 1966 "Fast Moving Parts List" with Lucas-BMC Cross Reference, Section C
- Source: # 4 Lucas 1973 "Fast Moving Parts Catalogue" with Supersessions & Lucas-BMC Cross Reference
- Source: # 5 Lucas "Test Data Manual", Section 5

Prepared by : J. Scott Morris jstmorris@yahoo.com Aug 2006

Filed: C:\British Cars\Austin Healey\Tech\B - Ignition\Distributors\Data Base\Distributor Data Base.xls

Lucas Distributor Database : Interchange

Service # →  
Model →

Part # Description	Lucas Part #	BMC ▼	1953-56	1956	1957-58	1958-59	1959-63	1963-64	1964	
			40320 A/B DM2P4	40422 A DM2P4	40495 A DM2P4	40520 A DM2P4	40532 A DM6	40581 A/B DM6	40662 A/D DM6	40920 A 25D6
		11B 479		11B 479	27H 5579	AEC 816		12B 684	12B 823	12B 825
Bush, insulating, inside L.T. [Low Tension]	161353	7H 6946		X	X	X				
Connector, Lucar	199279							X		
Rotor arm	400051	7H 5086	X	X	X	X				
Piece/pad, shaped, insulating, L.T.	405319					X	X	X		
Pin, terminal & details, L.T.	407019	17H 5398				X	X	X		
Bush, insulating, inside L.T.	408927	17H 5125				X	X	X		
Nut, cable securing	410600	17H 5122	X	X	X	X				
Screw, or nut & screw assembly	412202								X	X
Screw, or nut & screw assembly	415087		X	X	X	X	X	X		
Springs, set, auto-advance	416155				X					
Weight	418321	17H 5095	X	X	X	X	X	X		
Piece/pad, shaped, insulating, L.T.	418623		X							
Base plate, contact breaker	a 418650	17H 5299	X	X						
Lead, earth	418664		X	X						
Toggle	418707	17H 5069	X	X	X	X	X	X		
Rotor arm	418726	17H 5110				X	X	X	X	X
Brush & spring	418856	17H 5065	X	X	X	X	X	X		
Cap	418861	17H 5158				X	X	X	X	
Cap	b 418865	17H 5102	X	X	X	X				
Bush, contact breaker spring	418933		X	X						
Piece, insulating, contact breaker spring	418935		X	X						
Lead or connector, L.T.	418946		X	X						
Lead or connector, L.T.	419021	27H 5314				X	X	X		
Lead, earth	419023	27H 5315				X	X	X		
Spring, return, micrometer	419086	27H 5894	X	X	X	X	X	X		
Nut, adjusting micrometer	c 419087		X	X	X	X	X	X		
Bushing, bottom	419430	17H 5071	X	X	X	X				
Lubricator	419525	AJC 5095				X	X	X		
Sundry parts, set	419644	17H 5106	X	X	X	X				
Sundry parts, set	419645	17H 5117				X	X	X		



Lucas Distributor Database : Interchange

Service # →  
Model →

Part #	Description	Lucas Part #	BMC	1953-56		1956		1957-58	1958-59	1959-63	1963-64	1964								
				40320 A/B		40422 A		40495 A		40520 A		40532 A		40581 A/B		40662 A/D		40920 A		40966 A
				DM2P4		DM2P4		DM2P4		DM6		DM6		DM6		DM6		25D6		25D6
				11B 479				11B 479		27H 5579		AEC 816				12B 684		12B 823		12B 825
	Plate, shaft & action	419669	17H 5104	X	X	X	X													
	Plate, shaft & action	419913	17H 5166									X	X							
	Bush, contact breaker spring	419950	17H 5527				X	X	X	X	X	X	X							
	Base plate, contact breaker	419980	17H 5437						X	X	X	X	X							
	Unit, vacuum control	420006		X																
	Plate, bearing, contact breaker	420178		X	X															
	Contact set	420196	17H 5049	X	X															
	Contact set	420197	17H 5243						X	X	X									
	Condenser	d 420302	17H 5093	X																
	Plate, bearing, contact breaker	420375							X	X	X									
	Unit, vacuum control	420755	17H 5195			X														
	Plate, bearing, contact breaker	421078					X	X												
	Lead, earth	421088	17H 5531				X	X												
	Unit, vacuum control	e 421189	17H 6865							X	X									
	Plate/lever, clamping, timing or micrometer	421191	3H 2138	X	X	X	X	X	X	X	X									
	Plate, shaft & action	421321	17H 5438						X											
	Springs, set, auto-advance	421596				X		X												
	Springs, set, auto-advance	421616	27H 5316								X	X								
	Clip, cap retaining	421824	37H 5445						X	X	X									
	Spring, ratchet, micrometer	421825		X	X	X	X	X	X	X	X									
	Springs, set, auto-advance	421851	17H 5439						X											
	Lead or connector, L.T.	422235	17H 5532				X	X												
	Pin, terminal & details, L.T.	422238	37H 5409				X	X												
	Springs, set, auto-advance	422243	17H 5470	X																
	Base plate, contact breaker	422318					X	X												
	Contact set	f 423153	17H 5423				X	X												
	Pin, terminal & details, L.T.	423369	17H 5280	X	X															
	Condenser	d 423871	47H 5250				X	X	X	X	X	X	X							
	Clip, cap retaining	425765	17H 5064	X	X	X	X													
	Circlip, base fixing	496042		X	X															
	Spring, star, base fixing	496043		X	X															
	Spring, star, base fixing	496058							X	X	X									

**Lucas Distributor Database : Interchange**

Part # Description	Lucas Part #	BMC ▼	1953-56		1956		1957-58	1958-59	1959-63	1963-64	1964
			Service # →	Model →							
			40320 A/B	40422 A	40495 A	40520 A	40532 A	40581 A/B	40662 A/D	40920 A	40966 A
			DM2P4	DM2P4	DM2P4	DM2P4	DM6	DM6	DM6	25D6	25D6
			11B 479		11B 479	27H 5579	AEC 816		12B 684	12B 823	12B 825
<b>Circlip, base fixing</b>			496059				X	X	X		
<b>Cam</b>			496074	17H 5113			X	X	X		
<b>Cam</b>			496076			X	X				
<b>Plate, shaft &amp; action</b>			54410290							X	
<b>Unit, vacuum control</b>			54411233	57H 5197			X				
<b>Unit, vacuum control</b>			54411727	57H 5337			X				
<b>Unit, vacuum control</b>	e		54412033	57H 5241			X				
<b>Cam</b>			54412144								X
<b>Cap</b>			54412474								X
<b>Condenser</b>	d		54413002	17H 5093		X					
<b>Unit, vacuum control</b>			54413360	17H 6865							X
<b>Lead or connector, L.T.</b>			54413549	57H 5478						X	X
<b>Cam</b>			54413782							X	
<b>Cap</b>			54413902	17H 8844							X
<b>Unit, vacuum control</b>			54415500	17H 6865						X	
<b>Plate, shaft &amp; action</b>			54416610								X
<b>Contact set</b>	f		54419946							X	X

- Source: # 1 Marcel Chichak, TDC Engineering [chichm@telusplanet.net](mailto:chichm@telusplanet.net)  
"Lucas Distributor Database" - 2006 <http://www.starchak.ca>
- Source: # 2 Lucas Catalogue 400E, 1945 - 1960; Section F
- Source: # 3 BMC 1966 "Fast Moving Parts List" with Lucas-BMC Cross Reference, Section C
- Source: # 4 Lucas 1973 "Fast Moving Parts Catalogue" with Supersessions & Lucas-BMC Cross Reference
- Source: # 5 Lucas "Test Data Manual", Section 5

Supersession	a	424858	
	b	54414513	17H 5102
	c	54412157	

Prepared by : J. Scott Morris jstmorris@yahoo.com Aug 2006

Filed: C:\British Cars\Austin Healey\Tech\B - Ignition\Distributors\Data Base\Distributor Data Base.xls