



SMITHS



**Supplementary Instruments
and Mounting Panels
for Cars and Commercial Vehicles**

Compiled by J. Scott Morris [jstmorris@yahoo.com] 2010-01-12

C:\British Cars\Suppliers\Smiths\Catalogues\Smiths-Supplementary Instruments & Mounting Panels.doc



INSTRUMENT PANELS

The majority of British cars are fitted with Smiths instruments and in addition to this standard equipment, Smiths manufacture an attractive range of supplementary gauges, full details of which are given in this leaflet. All of these instruments have a diameter of 2 inches, and as it is not always convenient to cut the necessary apertures in the dashboard to mount additional instruments, Smiths have designed the range of supplementary instrument panels illustrated below.

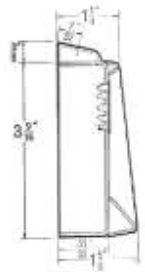
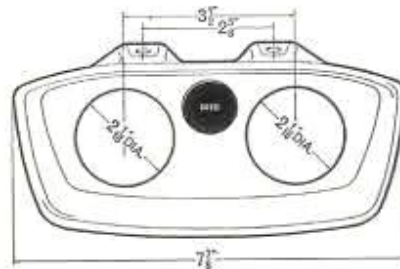
DE-LUXE SUB-PANEL

CODE PAD



This de-luxe panel has a chromium bezel and silver background. Attractively styled it offers a neat and secure mounting, which has almost universal application, and is simple to fit. All the instruments listed in this leaflet

are designed to fit this sub-panel. It can be fitted in any convenient position under the dashboard by means of the two fixing lugs illustrated below.



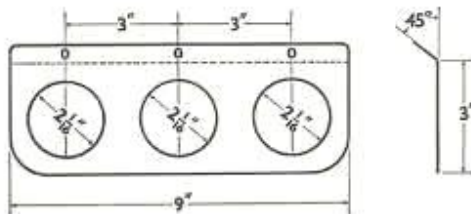
STANDARD SUB-PANELS

Three versions of this panel are available, i.e. suitable for one; two; or three instruments. They are supplied in a silver-grey finish which can easily be coloured to match the existing dashboard if required. These panels provide an attractive and inexpensive way of mounting

any of the Smiths supplementary instruments illustrated in this leaflet. They can be mounted in any convenient position under the dashboard by means of the 2 BA nuts, bolts, and spring washers provided.

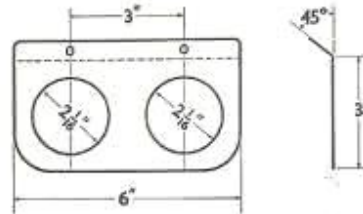
Panel—suitable for three instruments.

CODE PA3



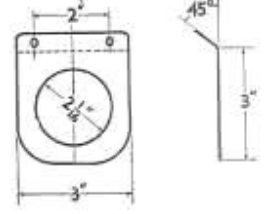
Panel—suitable for two instruments.

CODE PA2



Panel—suitable for one instrument

CODE PA1



WATER TEMPERATURE GAUGE KITS

CODE TB

Black dial, white figures,
white pointer, chrome bezel.

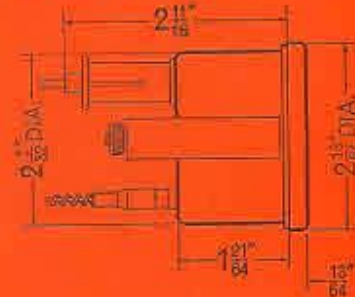


CODE TS

Silver dial, black figures,
black pointer, chrome bezel.



Extremes of heat and cold are bad for any engine; overheating is indicative of several forms of trouble whilst an engine that never warms up properly is inefficient. Where a heater is fitted a temperature gauge will show if the water to the heater is hot enough for maximum output. On vehicles fitted with a radiator blind a temperature gauge is essential. Each instrument consists of a bulb and indicator interconnected by a sealed length of capillary tube. When the bulb is heated, the increase in vapour pressure of the fluid inside it is shown by the instrument, which is calibrated 30-110° Centigrade. Each gauge is supplied complete with 6' 6" of capillary tubing and special fittings are supplied to facilitate connection to the cooling system. See separate fitting instructions. They are provided with internal illumination and fitting to either, one of the Smiths Instrument Panels, or existing dashboard is easily achieved by means of a simple fixing strap.



AMMETER KITS

CODE AB

Black dial, white figures,
white pointer, chrome bezel.

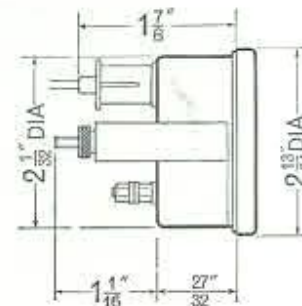


CODE AS

Silver dial, black figures,
black pointer, chrome bezel.



An ammeter is an essential instrument which not only shows whether the dynamo is charging but also the rate of charge and discharge. They are calibrated +30 : 0 : -30 amps. The required electrical connections are fully explained in the fitting instructions leaflet enclosed. They are provided with internal illumination and fitting to either, one of the Smiths Instrument Panels, or existing dashboard is easily achieved by means of a simple fixing strap.



OIL PRESSURE GAUGE KITS

CODE PB

Black dial, white figures,
white pointer, chrome bezel.

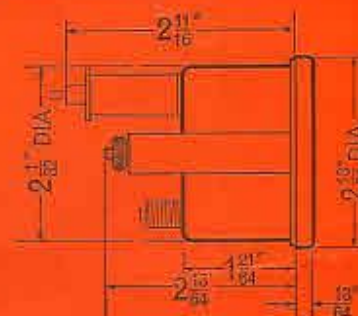


CODE PS

Silver dial, black figures,
black pointer, chrome bezel.



Oil pressure is vital and perhaps the most important instrument one can have on the dashboard is the gauge which indicates this pressure. Smiths oil pressure gauges work on the Bourdon tube principle and are robust and reliable and are calibrated 0-100 lbs. per sq. inch. An oil pipe line and tee piece are supplied with the gauge to facilitate connection to the engine. See separate fitting instructions enclosed. They are provided with internal illumination and fitting to either, one of the Smiths Instrument Panels, or existing dashboard is easily achieved by means of a simple fixing strap.



DUAL GAUGE KITS

CODE DB

Black dial, white figures,
white pointer, chrome bezel.



CODE DS

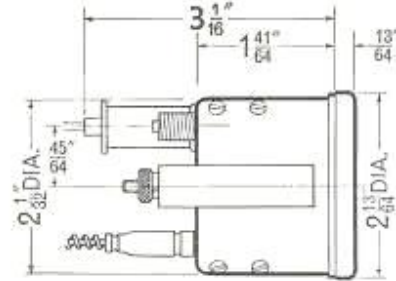
Silver dial, black figures,
black pointer, chrome bezel.



To reduce the number of instruments required and to simplify fitting, Smiths also manufacture combined oil pressure and water temperature gauges. Principle features are exactly the same as for the separate gauges. Each gauge is supplied complete with the additional items required to facilitate connection to the engine and cooling system.

Fitting is as for the individual type of gauges. These dual gauges are calibrated 0-100 lbs./sq. inch and 30-100° Centigrade.

They are provided with internal illumination and fitting to either, one of the Smiths Instrument Panels, or existing dashboard is easily achieved by means of a simple fixing strap.



ELECTRIC CLOCKS

CODE CB

Black dial, white figures,
white pointer, chrome bezel.



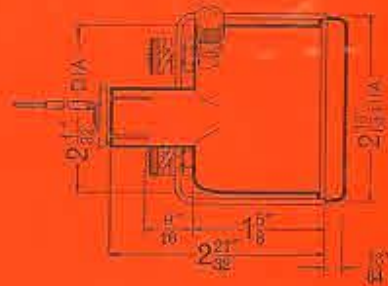
CODE CS

Silver dial, black figures,
black pointer, chrome bezel.



Smiths electric car clocks are fitted on many cars as original equipment. A reliable and easily read clock is a desirable instrument to have on any car and Smiths have designed these special 2" clocks so that they can be fitted easily in the instrument sub-panel.

Wiring instructions are given on the enclosed fitting instruction leaflet. They are provided with internal illumination and fitting to either, one of the Smiths Instrument Panels, or existing dashboard is easily achieved by means of a simple fixing strap.



VACUUM GAUGE KITS

CODE VB

Black dial, white figures
white pointer, chrome bezel.



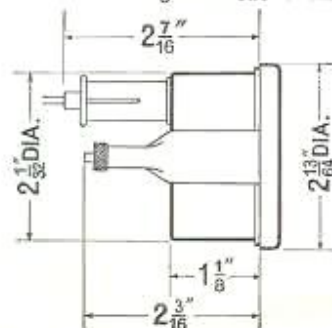
CODE VS

Silver dial, black figures,
black pointer, chrome bezel.



This sensitive instrument records the difference in pressure between the outside atmosphere and the inlet manifold. The lower pressures in the inlet manifold are usually referred to as a "vacuum". It is this "vacuum" which governs the petrol/air mixture to the engine. A gauge which shows an accurate vacuum reading enables the motorist to obtain maximum fuel economy from his engine. In addition it will indicate immediately faults, such as a faulty or badly adjusted carburettor; poor compression; faulty ignition timing, piston rings, valves, and incorrect valve settings; sparking plug gap settings; and contact breaker point settings. It all adds up to an instrument which will ensure maximum petrol economy from your engine.

The instrument is calibrated 0-30 ins. Hg. It is supplied with internal illumination and fitting to either an instrument panel or dashboard is easily achieved by means of a simple fixing strap. Further details and fitting instructions are shown on the enclosed fitting instructions leaflet.



SMITHS

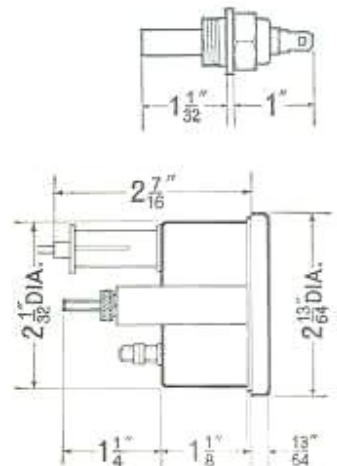
SHORT SCALE READING SUPPLEMENTARY INSTRUMENTS

As an alternative to the supplementary instruments with full scale calibration, Smiths have also produced a matching range of instruments with short scale readings. These instruments are available in one finish only, i.e. black dial, white figures, white pointer, chrome bezel.

TEMPERATURE GAUGE KIT

CODE TSB

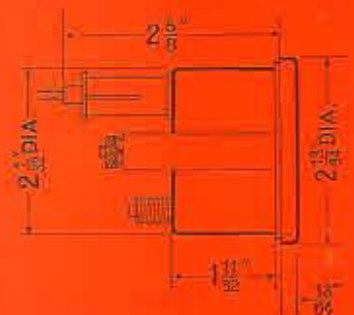
This instrument is a semi-conductor type temperature indicator. It is supplied as a complete set of equipment, consisting of two units—an indicator which is mounted on the vehicle dashboard, or Smiths instrument panel, and a transmitter which is inserted in the vehicle cooling system. When installed the two units are electrically linked by a single wire lead, which is included in the temperature gauge kit. The instrument is internally illuminated and is calibrated 30-110° Centigrade. Full fitting instructions are given in the enclosed leaflet.



OIL GAUGE KIT

CODE PSB

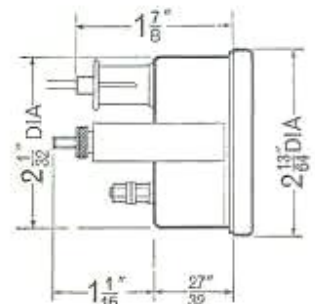
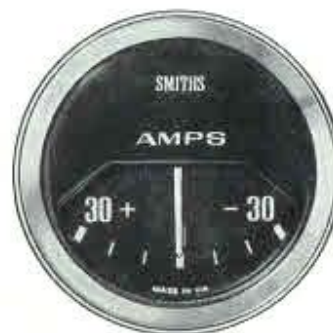
This instrument works on the Bourdon tube principle, and is supplied complete with an oil pipe line and tee piece to facilitate connection to the engine. The instrument is internally illuminated and is calibrated 0-100 lbs./sq. inch. Full fitting instructions are given in the enclosed leaflet.



AMMETER KIT

CODE ASB

This instrument has been designed to match the oil pressure gauge, and temperature gauge, illustrated above. It is internally illuminated, and is calibrated +30 ; 0 ; -30.



These instruments are suitable for mounting in any of the Smiths supplementary instrument panels.

SMITHS SUPER SUB-PANELS

SALES & SERVICE, OXGATE LANE, LONDON NW2

Tel: GLAdstone 8030 · Grams: Speedofac, London · Telex: 22671

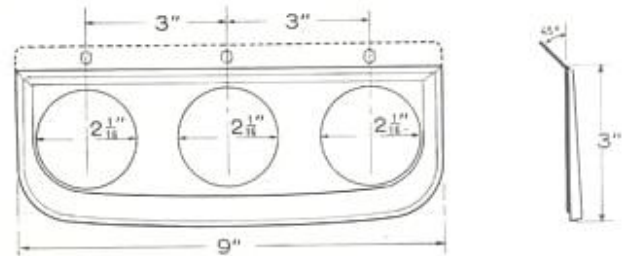
The Motor Accessory Division of S. Smith & Sons (England) Ltd

These panels use the Smiths standard sub-panels as a basic mounting panel but they include an attractively styled and finished plastic facia. This facia has a black leather grained appearance.

Panel suitable for three instruments



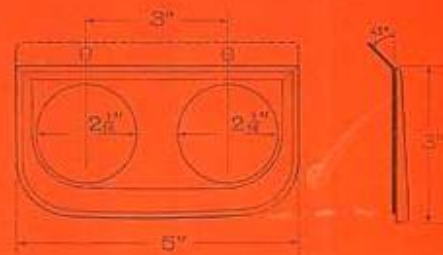
CODE SP3



Panel suitable for two instruments



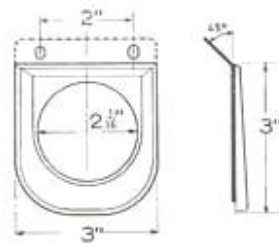
CODE SP2



Panel suitable for one instrument



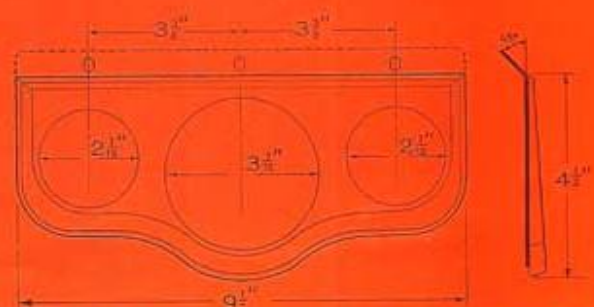
CODE SP1



Panel suitable for two 2" instruments and one Impulse Tachometer 3 1/8" diam.



CODE SPT3



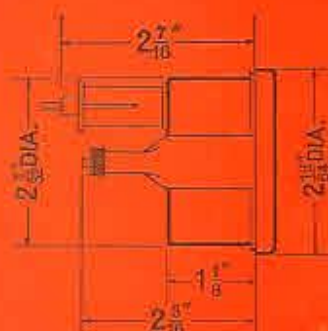
INSTRUMENTS FOR THE ENTHUSIAST

The following are available for the motoring enthusiast who requires instruments which are not supplied in the standard range of Smiths supplementary instruments.

PERFORMANCE GAUGE KIT

CODE PF

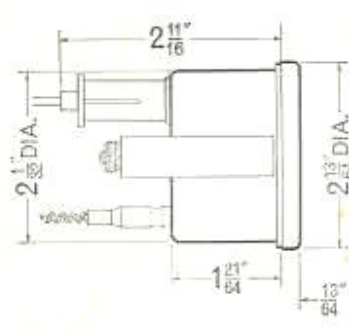
This is a specially designed vacuum gauge, with the dial printed in specially coloured segments which indicate different engine conditions when the car is being driven. It is supplied with internal illumination and the instrument kit includes the items required to facilitate connection to the engine. See leaflet enclosed for further details.



OIL TEMPERATURE GAUGE KIT

CODE OTB

Many drivers of sports cars, or "hotted-up" saloon cars, wish to know the temperature of the engine oil in the sump, and for this purpose Smiths provide an oil temperature gauge. It is internally illuminated and is supplied complete with 6' 6" capillary tubing. It is calibrated 30-110° Centigrade. Full fitting instructions are given in the enclosed leaflet.

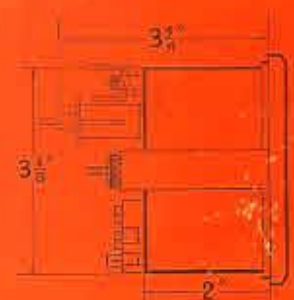


IMPULSE TACHOMETER

For the real enthusiast it is essential at all times to know the R.P.M. of the engine. Only by having this information can the expert driver be fully aware of engine and gearbox behaviour.

For details of the Smiths impulse tachometer see leaflet Ref. No. S.1704/1.

NOTE: This instrument has a diameter of 3 1/2 inches.



SMITHS

MOTOR ACCESSORY DIVISION

SALES & SERVICE · OXGATE LANE · LONDON NW2

Telephone: GLAdstone 8030 Telegrams: Speedofac, London Telex: 22671

The Motor Accessory Division of S. Smith & Sons (England) Limited

DEPOTS:

BRISTOL: 7 Bath Road, 4 Telephone: Bristol 70314

GLASGOW: 123-145 North Street, C.3. Telephone: Glasgow Central 3972

MANCHESTER: 780 Chester Road, Stretford Telephone: Manchester Longford 2414

BELFAST: 19 Ormeau Avenue Telephone: Belfast 32911