

Girling

Components & Illustrations

For

Austin Healey

100, 100-6, 3000, 3000 MkII
&
Sprite [factory conversion]



Updated: 2008-12-08

Compiled by J. Scott Morris [jstmorris@yahoo.com] 2006-07-17



TYPE SYMBOLS

At the head of each column, together with the size, is shown the type of brake (GNS, HLS, etc.), and similarly in the appropriate place is shown the type of Master Cylinder (CB, CV, etc.). Below is listed the groups of letters together with numbers of typical illustrations. These can be found in the loose-leaf Edition 1962 on.

BRAKES

Symbol	Type	Illustration
DISC BRAKES		
AR	Disc Brake	16
B. Caliper	Disc Brake	16
Multiple Disc	Tractor Disc	55
NR	Disc Brake	17
Split 'B' + Type 17-18	Disc Brake	50
Split 'C' Type	Disc Brake	60
Type 10/8	Disc Brake	61
Type 12 MP	Disc Brake	65
Type 12/3	Triple Piston Disc Brake	59
Type 12/14/3	Triple Piston Disc Brake	64
Type 14	Disc Brake	51
Type 16FS	Disc Brake	62
Type 16/3	Triple Piston Disc Brake	53
Type 44-48	Disc Brake	58
DRUM BRAKES		
C.2LS	Two Leading Shoe Cam operated	26 and 70
C.2LSI	Ditto but with one push rod	26
DA } DAFC }	Double Anchor	35 and 56
FCSS	Cam Brake	24 and 69
GNS	Non-Servo	2 and 32
GNSM	Non-Servo	38
GNSS	Non-Servo Sliding Shoe	41 and 57
HDV	Horse-drawn Vehicle Brake	42
HL & HLI	Hydraulic Lever Handbrake	6
HL3	Hydraulic Lever Handbrake	7
HL3C	Hydraulic Lever Handbrake	15
HLS	Hydraulic Leading Shoe	3 or 14
HLSS	Hydraulic Leading Shoe, Sliding	5 or 25
HNS & HNSI	Hydraulic Non-Servo	13 and 52
HNSS	Hydraulic Non-Servo, Sliding	33
HS & HSI	Hydrastatic	1
HTS2	Two Trailing Shoe	8 or 20
H.W.	Hydraulic Wedge Handbrake	4, 63 and 72
ML	Mechanical Lever	39
NR	Disc with Handbrake	17
S	Cam	54
SA	Single Anchor	21
2LS	Two Leading Shoe (two push rods)	34, 68, 71, 73 and 74
2LSI	Two Leading Shoe (one push rod)	12, 22, 66 and 67
2LSG	The variation of one or two push rods applies to illustration numbers 11, 12, 22, 23, 26, 30, 31, 66 and 67 Two Leading Shoe (with Shoe carrier)	43

MASTER CYLINDERS

Size and Symbol	Type	Illustration
DA	Direct Acting	114
CB } CB } CB }	Compression Barrel	101, 105, 108 or 146
1 1/4 CB	Compression Barrel with Integral Tank	137
1 1/2 CB	Compression Barrel	129
1 3/4 CB	Compression Barrel	126 or 130
2 CB	Compression Barrel	133
CV	Centre Valve with Integral Tank	102
CV	Centre Valve with or without Integral Tank	102, 103 or 109
CV	Centre Valve	131
T	Tension	107
1 1/4 T } 1 1/2 T } 1 3/4 T }	Tension	117



AUSTIN-HEALEY
" 100 "
 Sports BNI
 Serial No. 138031 to 221403
 1953-54

AUSTIN-HEALEY
" 100 "
 Sports BNI
 Serial No. 221404 to 221535
 1954-55

AUSTIN-HEALEY
" 100 "
 Sports BNI
 Serial No. 221536 to 228046
 March 1955-July 1955

		Front	Rear	Front	Rear	Front	Rear
Illustration Size and Type		No. 5 11x1½ HLSS	No. 4 11x1½ HW	No. 5 11x1½ HLSS	No. 4 11x1½ HW	No. 5 11x1½ HLSS	No. 7 11x2½ HL3
Complete Brake		GB44233-4	GB44235-6	GB46233-4	GB44235-6	GB46233-4	GB46481-2
10 15 16 17 50	BACKPLATE ASSY. Steady Post Bush Nut Bridge Pipe	GB40744-5 GB37148 GB14818 10132 394501W	GB41538 GB40038 GB14818 10176	GB40744-5 GB37148 GB14818 10132 394501W	GB41538 GB40038 GB14818 10176	GB40744-5 GB37148 GB14818 10132 394501W	GB46034-5 GB40038 GB14818 50242
51 51 51 51 55	LINED SHOES—Leading LH " " —Trailing LH " " —Leading RH " " —Trailing RH Spring	GB40733 GB40734 GB40610	GB41540 GB41542 GB41540 GB41542 GB2453	GB40733 GB40734 GB40610	GB41540 GB41542 GB41540 GB41542 GB2453	GB40733 GB40734 GB40610	GB46038 GB46038 GB46038 GB46038 GB39757
80	H.P. HOSES	3700622W	3710622W	3700622W	3710622W	3700622W	3710622W
100 110 111 112 113 114 115 120 121 122 128 129 132 150 151 158 160	WHEEL CYLINDER ASSY. Service Kit Spring Seal Support Bleed Screw Ball Dust Cap Service Kit—Handbrake Attach. Draw Link Lever Assy. Dust Cover Cover Plate Dust Cover Retaining Plate Retainer Locking Plate Nut Washer	390332-3W(1) SPI215 378821 317041 377685W 27240 363400	390150-1W(1) SPI215 378822 317241 377685W 27240 363400 GB41326-7 GB40559 GB40995	390320-1W(½) SP2049 378821 317031 377685W 27240 363400	390150-1W(1) SPI215 378822 317241 377685W 27240 363400 GB41326-7 GB40559 GB40995	390320-1W(½) SP2049 378821 317031 377685W 27240 363400	390450W (1) SP2018 GB46070 GB44280 GB44278 GB44279
300 310 352 353 355	ADJUSTER ASSY. Service Kit Bolt Washer Nut		GB41302 SPI193 GB3266 GB5		GB41302 SPI193 GB3266 GB5		GB45369 SP1854 GB5 10203
ILLUSTRATION AND SIZE		No. 108 ¾CB		No. 108 ¾CB		No. 108 ¾CB	
500 510 511 513 516 526	MASTER CYLINDER ASSY. Service Kit Spring Push Rod Locknut Stoplight Switch	64067531 SPI981 378825 64673244 10102 64067767		64067531 SPI981 378825 64673244 10102 64067767		64067531 SPI981 378825 64673244 10102 64067767	
ILLUSTRATION		No. 109		No. 109		No. 109	
570 576 577 583 584 585 586	SUPPLY TANK ASSY. Cap Cap Washer Clip Screw Nut Adaptor	64047212 378434 362920 378620 18819 10800 64473631		64047212 378434 362920 378620 18819 10800 64473631		64047212 378434 362920 378620 18819 10800 64473631	



		AUSTIN HEALEY "100" Sports BN2 Serial No. 228047 to 233452 1955-56		AUSTIN HEALEY "100 Six" BN4 (Wire Wheels) 1956 on		AUSTIN HEALEY "100 Six" BN4 (Disc Wheels) 1956 on	
		Front	Rear	Front	Rear	Front	Rear
	Illustration Size and Type	No. 5 11x2½ HLSS	No. 7 11x2½ HL3	No. 5 11x2½ HLSS	No. 7 11x2½ HL3	No. 5 11x2½ HLSS	No. 7 11x2½ HL3
	Complete Brake	GB46553-4	GB46481-2	GB46553-4	GB46481-2	GB47877-8	GB46481-2
10 15 16 17 50	BACKPLATE ASSY. Steady Post Bush Nut Bridge Pipe	GB46555-6 GB40038 GB14818 50242 394513W	GB46034-5 GB40038 GB14818 50242	GB46555-6 GB40038 GB14818 50242 394513W	GB46034-5 GB40038 GB14818 50242	GB46028-9 GB40038 GB14818 50242 394513W	GB46034-5 GB40038 GB14818 50242
51 51 51 51 55	LINED SHOES—Leading LH " " —Trailing LH " " —Leading RH " " —Trailing RH Spring	GB40031 GB40032 GB41603	GB46038 GB46038 GB46038 GB39757	GB40031 GB40032 GB41603	GB46038 GB46038 GB46038 GB39757	GB40031 GB40032 GB40610	GB46038 GB46038 GB46038 GB39757
80	H.P. HOSES	3700622W	3700622W	3700622W	3700622W	3700622W	3700622W
100 110 111 112 113 114 115 122 128 150 151 158 160	WHEEL CYLINDER ASSY. Service Kit Spring Seal Support Bleed Screw Ball Dust Cap Lever Assy. Dust Cover Retainer Locking Plate Nut Washer	390332-3W(1) SP1215 378821 317041 377685W 27240 363400	390450W(1) SP2018 377686W 363400 GB46070 GB44280 GB44278 GB44279	390332-3W(1) SP1215 378821 317041 377685W 27240 363400	390450W(1) SP2018 377686W 363400 GB46070 GB44280 GB44278 GB44279	390338-9W(1) SP2056 378822 317042 377686W	390450W(1) SP2018 377686W 363400 GB46070 GB44280 GB44278 GB44279
300 310 353 355	ADJUSTER ASSY. Service Kit Washer Nut		GB45369 SP1854 GB5 10203		GB45369 SP1854 GB5 10203		GB45369 SP1854 GB5 10203
	ILLUSTRATION AND SIZE	No. 108 ¾ CB		Brake No. 102 ¾ CV	Clutch No. 102 ¾ CV	Brake No. 102 ¾ CV	Clutch No. 102 ¾ CV
500 510 511 513 516 526 530	MASTER CYLINDER ASSY. Service Kit Spring Push Rod Locknut Stoplight Switch Filler Cap	64067531 SP1981 378825 64673244 10102 64067767		3112348W SP1967 378847 391013 64067767 378434	3112250W SP1963 378847 391013	3112348W SP1967 378847 391013 64067767 378434	3112250W SP1963 378847 391013 378434
538	H.P. HOSE				3700616W		3700616W
	ILLUSTRATION	No. 109					
570 576 577 583 584 585 586	SUPPLY TANK ASSY. Cap Cap Washer Clip Screw Nut Adaptor	64047212W 378434 362920 378620 18819 10800 64473631					
	ILLUSTRATION AND SIZE				No. 115B 7/8		No. 115B 7/8
600 605 606 607 608 610	SLAVE CYLINDER ASSY. Service Kit Spring Push Rod Bleed Screw Dust Cap				3010202W SP2017 378802 350631W 377686W 363400		3010202W SP2017 378802 350631W 377686W 363400



		AUSTIN-HEALEY BN 4 with 6 port Engine 4-Seater From Car No. 68960 to 77766 1958-59		AUSTIN-HEALEY BN 6 with 6 port Engine Donald Healey Conversion 1959 on		AUSTIN-HEALEY Super Sprite (Factory Conversion) 1959 on	
		Front	Rear	Front	Rear	Front	Rear
Illustration Size and Type		No. 5 11x2½ HLSS	No. 7 11x2½ HL3	No. 50 Type 14 Disc	No. 7 11x2½ HL3	No. 50 Type 10 Disc	No. 7 8x1½ HL3
Caliper Assy. or Complete Brake		GB46553-4	GB46481-2	64032506-7	64027084-6	64032502-3	64027260-2
1	DISC					64325186	
2	Disc Retaining Bolt					GB49271	
3	Caliper Retaining Bolt					64110257	
	Locking Plate					64325190	
	Locking Plate					64325191	
	Locking Plate					64325189	
	Nut					10203	
10	BACKPLATE ASSY.	GB46555-6	GB46034-5		GB46034-5		GB49287-8
11	Caliper Mounting Plate					64325183	
12	Bolt Mounting Plate to Stub					64110256	
15	Steady Post	GB40038	GB40038		GB40038		GB40000
16	Bush	GB14818	GB14818		GB14818		
17	Locknut	50242	50242		50242		50242
26	Pad Retaining Pin			64325022		64325022	
30	Pin Retaining Clip			64325009		64325009	
50	Bridge Pipe	394513W					
51	LINED SHOE OR PAD ASSY.—LH	GB40031	GB46038	64325422	GB46038	64325418	GB45789
51	" " " " " —RH	GB40032	GB46038	64325422	GB46038	64325418	GB45789
55	Spring	GB41603	GB39757		GB39757		GB43258
55	Spring—Adjuster End		GB39757		GB39757		GB43259
80	H.P. HOSE	3700622W	3700622W	3700822W	3700625W	3700619W	3700625W
100	WHEEL CYLINDER ASSY.	390332-3W(1")	390450W(1")		390416W(¾)		390401W(¾)
110	Service Kit	SP1215	SP2018	SP2504	SP2042	SP2507	SP2064
111	Spring	378821					
112	Seal Support	317041					
113	Bleed Screw	377685W	377686W	377687W	377686W	377687W	377686W
114	Ball	27240					
115	Dust Cap	363400	363400	363400	363400	363400	363400
122	Lever Assy.		GB46070		GB48129		GB48910
128	Dust Cover		GB44280		GB44280		GB46692
150	Retainer		GB44278		GB44278		GB46690
151	Locking Plate		GB44279		GB44279		
151	Spring Plate						GB46691
158	Nut	30-BS-150					
160	Washer	76-BS-25					
300	ADJUSTER ASSY.		GB45369		GB45369		GB49001
310	Service Kit		SP1854		SP1854		SP1850
353	Washer		GB5		GB5		76-BS-25
355	Nut		10203		10203		30-BS-150
	ILLUSTRATION AND SIZE	Brake No. 119 ¾CV	Clutch No. 119 ¾CV	Brake No. 119 ¾CV	Clutch No. 119 ¾CV	Brake No. 102 ¾CV	Clutch No. 102 ¾CV
500	MASTER CYLINDER ASSY.	3110365W	3110243W	3110243W	3110243W	64067578	64067579
510	Service Kit	SP1967	SP1988	SP1988	SP1988	SP1963	SP1967
511	Spring	378847	378847	378847	378847	378847	378847
513	Push Rod	350541W	391013	391011	391013	64673290	64673288
526	Stop Light Switch	64067767		64067767		64067769	
530	Filler Cap		3700616W		3700616W	378434	378434
533	Filter					64473410	64473410
538	H.P. Hose						64047221
	ILLUSTRATION	No. 111		No. 111			
570	SUPPLY TANK ASSY.	64047213		64047213			
576	Cap	378434		378434			
577	Cap Washer	362920		362920			
583	Clip	378620		378620			
584	Screw	18819		18819			
585	Nut	10800		10800			
586	Adaptor			64473631			
	ILLUSTRATION AND SIZE		No. 115 7/8"		No. 115 7/8"		No. 115B 7/8"
600	SLAVE CYLINDER ASSY.		3010205W		3010205W		64067580
605	Service Kit		SP2017		SP2017		SP2085
606	Spring		378802		378802		378802
607	Push Rod		350621		350621		350621
608	Bleed Screw						377686W
610	Dust Cap						



AUSTIN-HEALEY

AUSTIN-HEALEY

BN 7
3000
1959-1960

3000 Mk. II
1961 on

		Front	Rear	Front	Rear
	Illustration Size and Type	No. 50 No. 14 Disc	No. 7 11x2½ HL3	No. 50 No. 14 Disc	No. 7 11x2½ HL3
	Caliper Assy. or Complete Brake	64032506-7	64027084-6	64032550-1	64027084-6
I	DISC	Supplied by Austin			
10 15 16 17 26 30 31	BACKPLATE ASSY. Steady Post Bush Locknut Pad Retaining Pin Pin Retaining Clip Damping Shim	64325022 64325009	GB46034-5 GB40038 GB14818 50242	64325022 64325009 64325577	GB46034-5 GB40038 GB14818 50242
51 51 55	LINED SHOE OR PAD ASSY.—LH " " " " " " —RH Shoe Return Spring	64325422 64325422	GB46038 GB46038 GB39757	64325422 64325422	GB46038 GB46038 GB39757
80	H.P. HOSE	3700822W	3700622W	3700822W	3700625W
100 110 113 115 122 128 150 151	WHEEL CYLINDER ASSY. Service Kit Bleed Screw Dust Cap Lever Assy. Dust Cover Retainer Locking Plate	SP2504 377687W 363400	390416W(¾) SP2042 377686W 363400 GB46070 GB44280 GB44278 GB44279	SP2504 377687W 363400	390416W(¾) SP2042 377686W GB48129 GB44280 GB44278 GB44279
300 310 353 355	ADJUSTER ASSY. Service Kit Washer Nut		GB45369 SP1854 GB5 10203		GB45369 SP1854 GB5 10203
	ILLUSTRATION AND SIZE	Brake No. 119 ⅜CV	Clutch No. 119 ⅜CV	Brake No. 119 ⅝CV	Clutch No. 119 ⅝CV
500 510 511 513 514 515 516 526 530 533 538 539	MASTER CYLINDER ASSY. Service Kit Spring Push Rod Retaining Washer Jaw End Lock Nut Stop Light Switch Filler Cap Filter H.P. Hose L.P. Hose	3110243W SP1988 378847 391011 64067767	3110243W SP1988 378847 391011 3700616W	3110421W SP2107 64673425 64673442 378242 373203W 50242 64067769 364820	3110243W SP1988 378847 391011 3700616W
	ILLUSTRATION	No. 111		No. 111	
570 576 577 583 584 585 586	SUPPLY TANK ASSY. Cap Cap Washer Clip Screw Nut Adaptor	64047213 378434 362920 378620 18819 10800 64473631		64047213 378434 362920 378620 18819 10800 64473631	
	ILLUSTRATION AND SIZE		No. 115B ⅞"		No. 115B ⅞"
600 605 606 607 608 610	SLAVE CYLINDER ASSY. Service Kit Spring Push Rod Bleed Screw Dust Cap		3010205W SP2017 378802 64673048 377686W 363400		3010205W SP2017 378802 64673048 377686W 363400
640 650 685	SERVO UNIT ASSY. Service Kit Non-Return Valve Assy.			64049105 SP2153 994035W	

Girling Illustrations For Austin Healey

	100 BN1 1953-54	100 BN1 1954-55	100 BN1 1955	100 BN2 1955-56
Brake	5 / 4	5 / 4	5 / 7	5 / 7
Master Cyl	108	108	108	108
Supply Tank	109	109	109	109
Slave Cyl				

	100-6 BN4 Wires 1956 on	100-6 BN4 Disc 1956 on	100-6 BN4 1958-59	100-6 BN6 1959 on	Sprite Factory 1959 on	3000 MkI 1959-60	3000 MkII 1961-62
Brake	5 / 7	5 / 7	5 / 7	50 / 7	50 / 7	50 / 7	50 / 7
Master Cyl	102 / 102	102 / 102	119 / 119	119 / 119	102 / 102	119 / 119	119 / 119
Supply Tank			111	111		111	111
Slave Cyl	115B	115B	115	115	115B	115B	115B



SERVICE CATALOGUE

BRAKE & CLUTCH EQUIPMENT

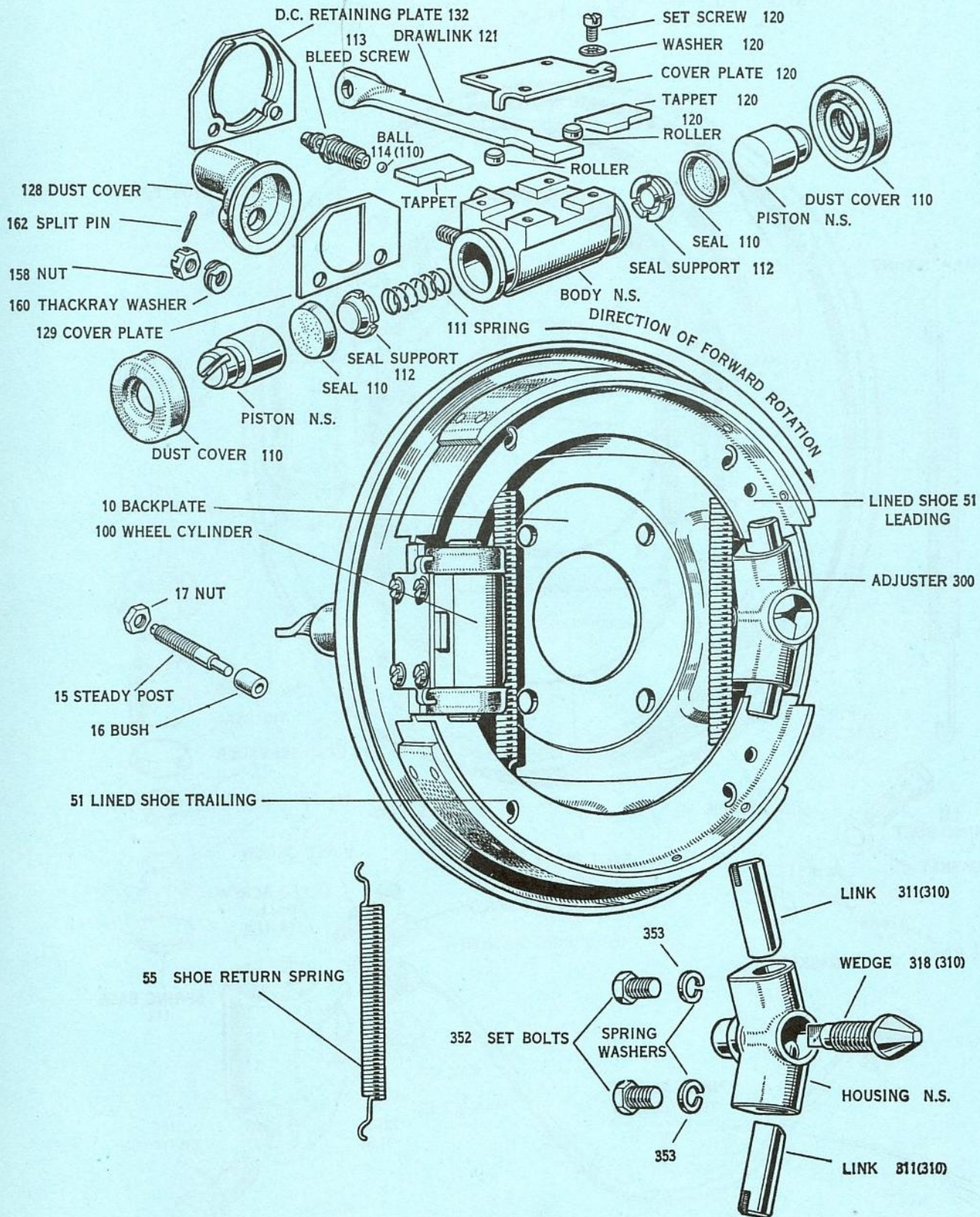
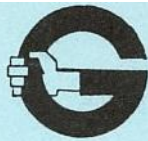


Illustration No. 4 (Issue 1)
Type HW Hydraulic Wedge



SERVICE CATALOGUE

BRAKE & CLUTCH EQUIPMENT

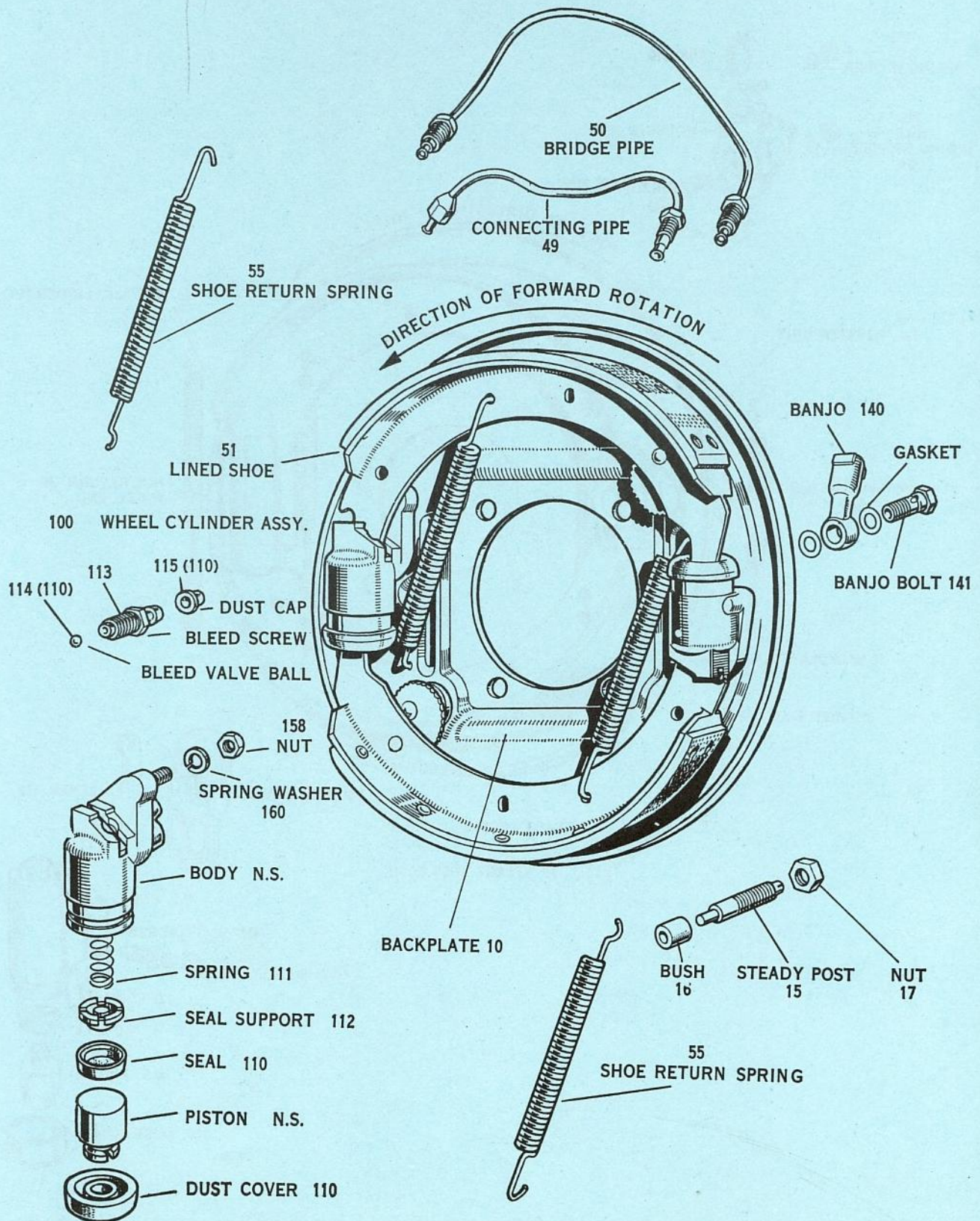


Illustration No. 5 (Issue 1)
Type HLSS Hydraulic Leading Shoe Sliding



SERVICE CATALOGUE

BRAKE & CLUTCH EQUIPMENT

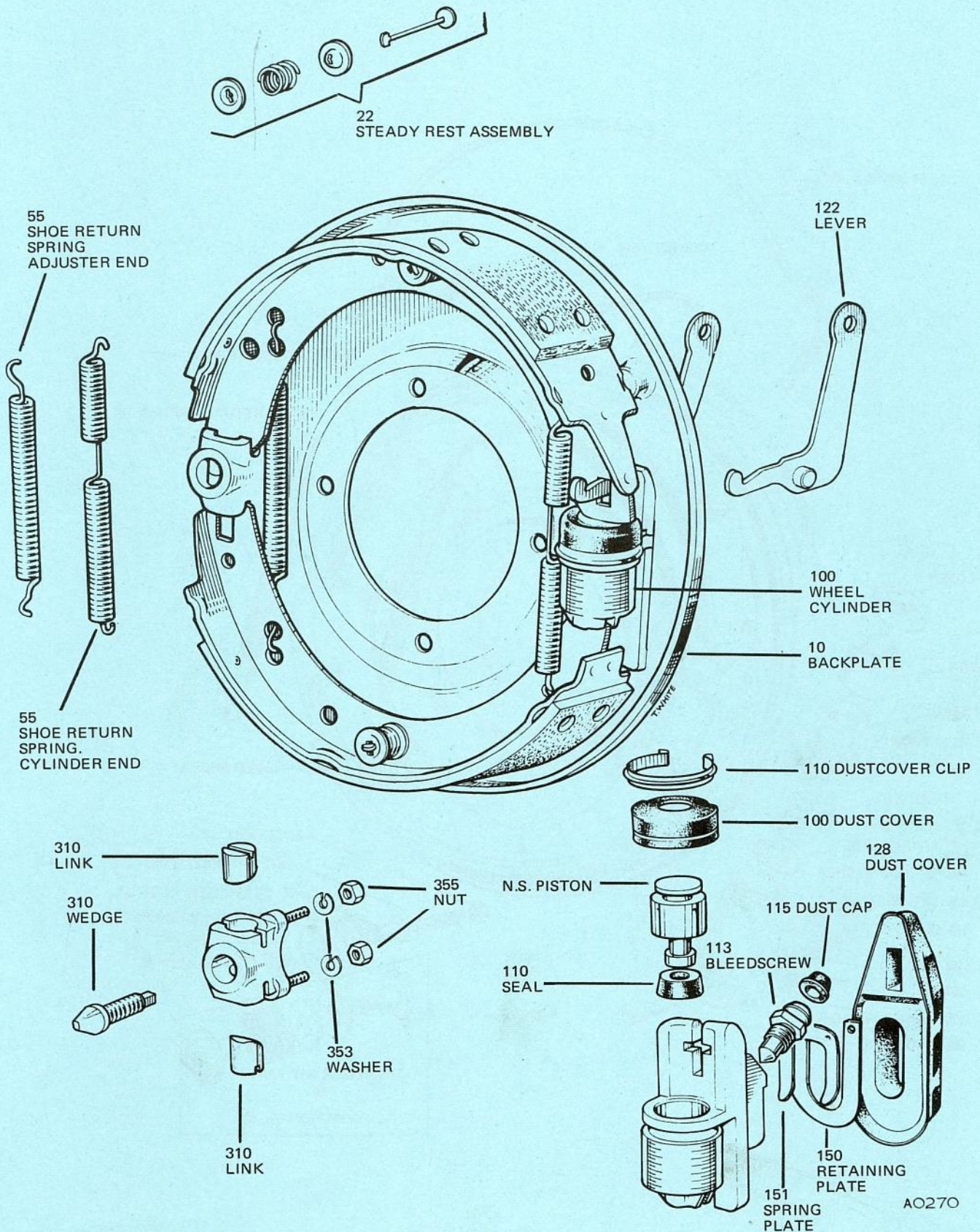
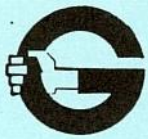


Illustration No. 7 (Issue 2)
HL3



SERVICE CATALOGUE

BRAKE & CLUTCH EQUIPMENT

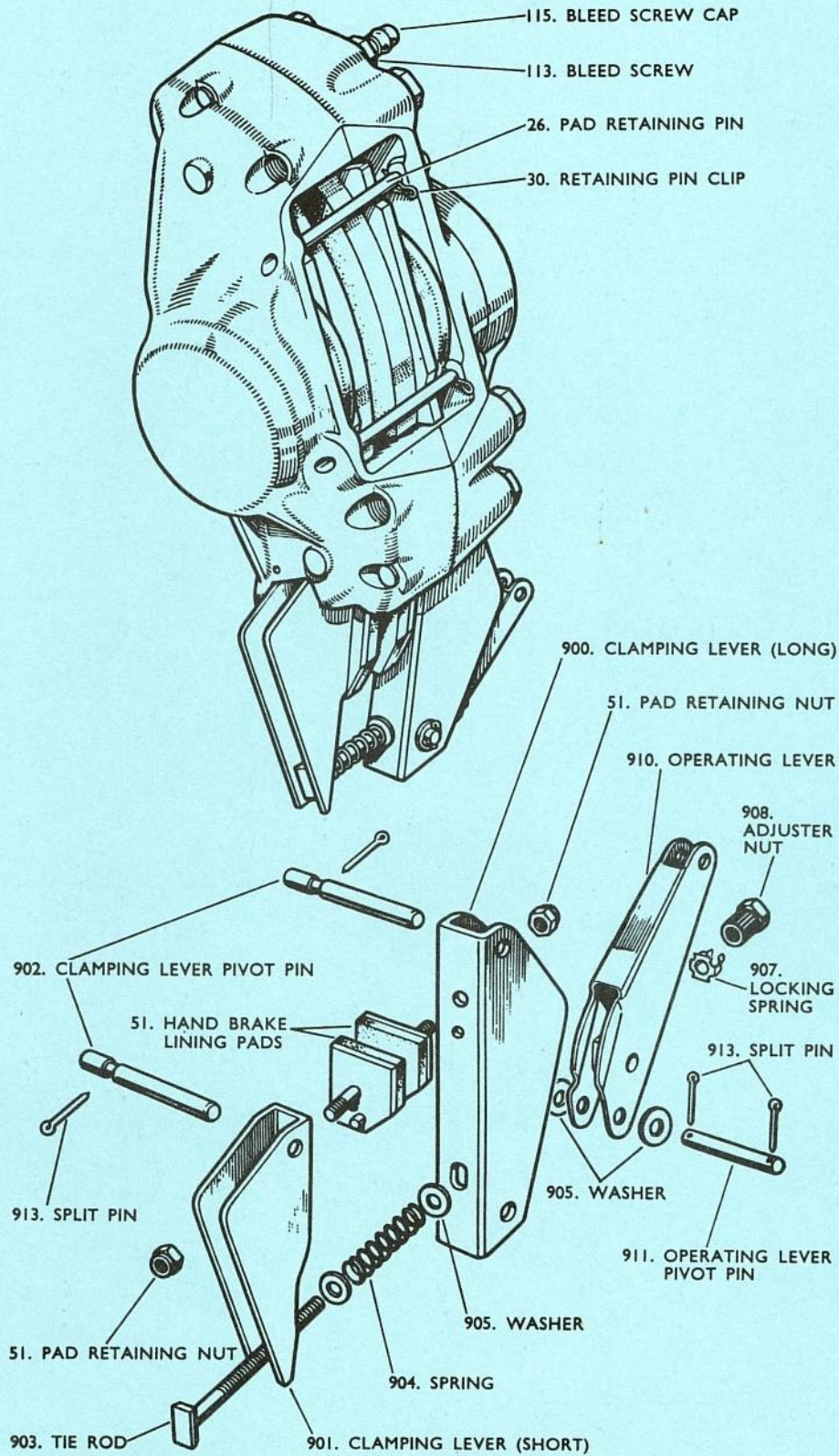
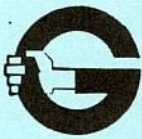


Illustration No. 51 (Issue 1)
Type 14H Caliper



SERVICE CATALOGUE

BRAKE & CLUTCH EQUIPMENT

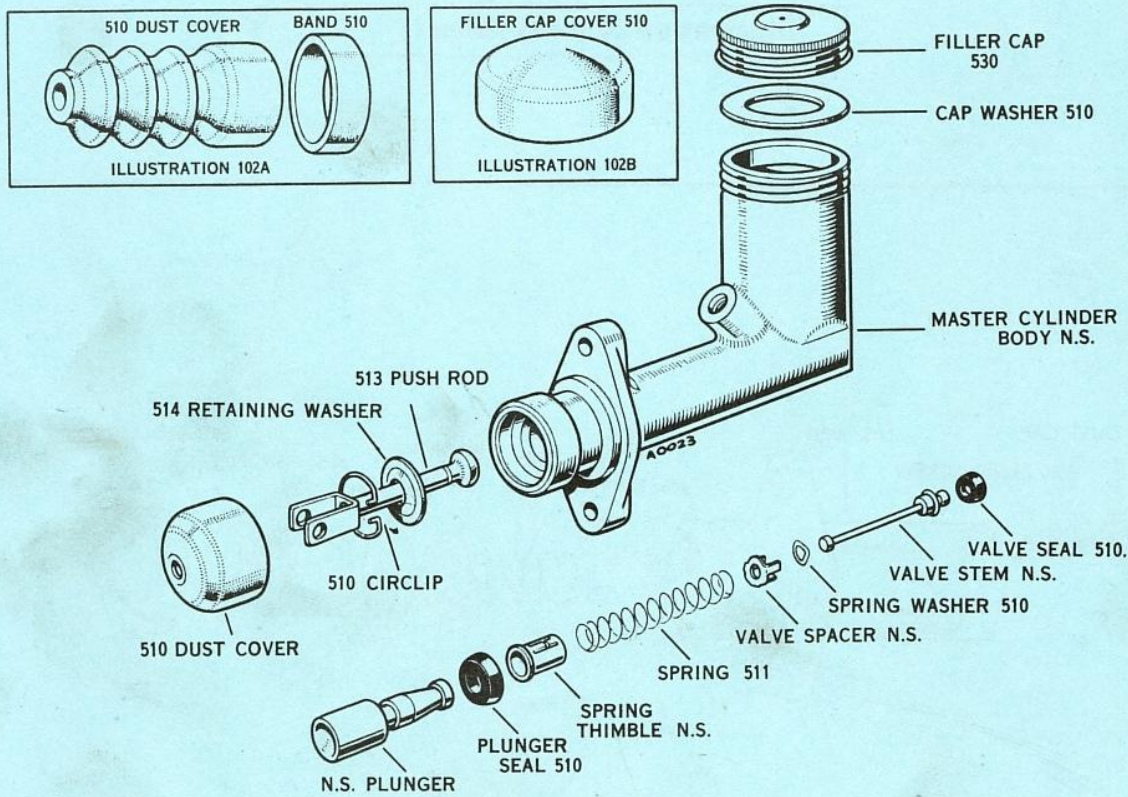


Illustration No. 102 (Issue 2)
(and Illustrations 102A and 102B—inset)

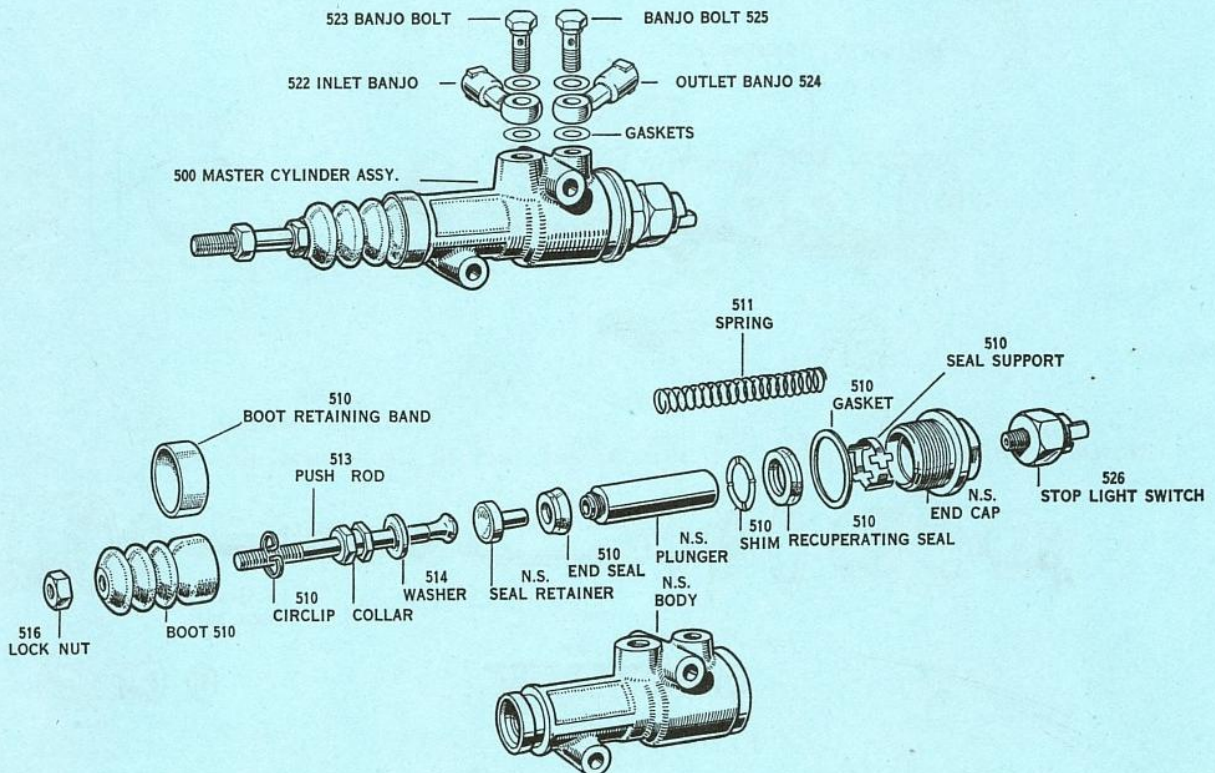
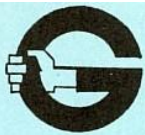


Illustration No. 108 (Issue 1)



SERVICE CATALOGUE

BRAKE & CLUTCH EQUIPMENT

SUPPLY TANK 570

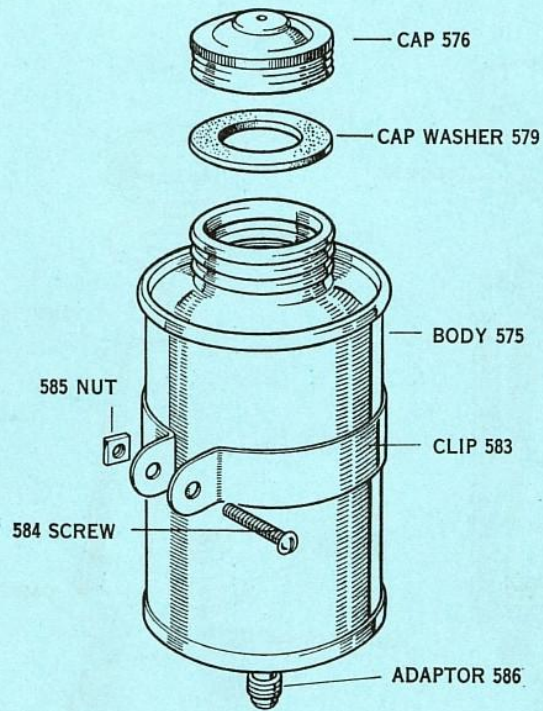


Illustration No. 109 (Issue I)

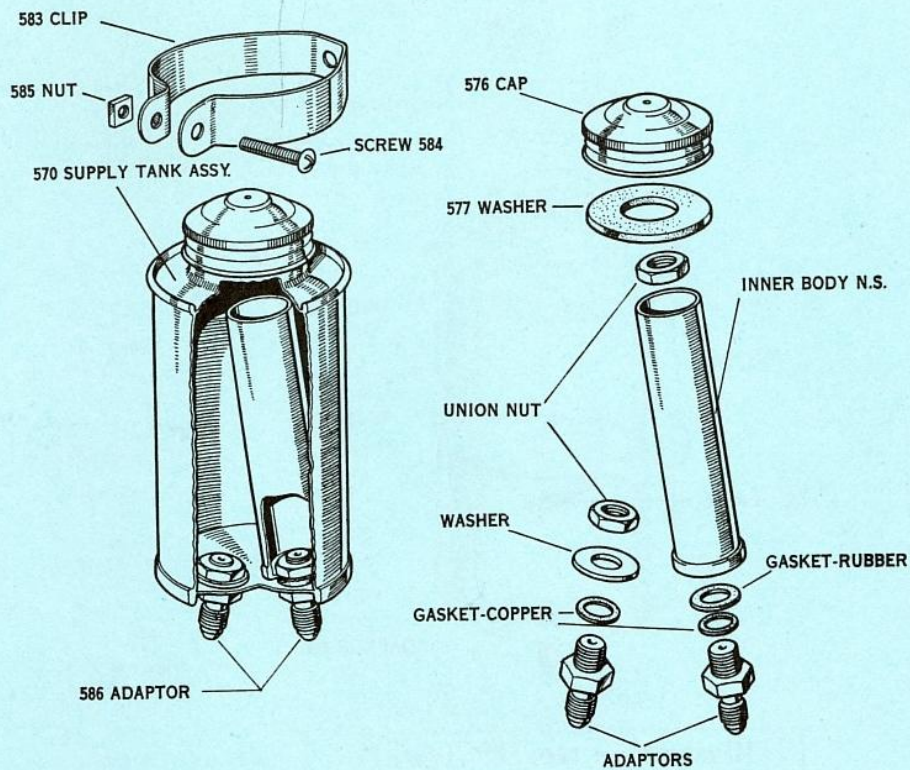
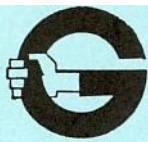


Illustration No. 111 (Issue I)



SERVICE CATALOGUE

BRAKE & CLUTCH EQUIPMENT

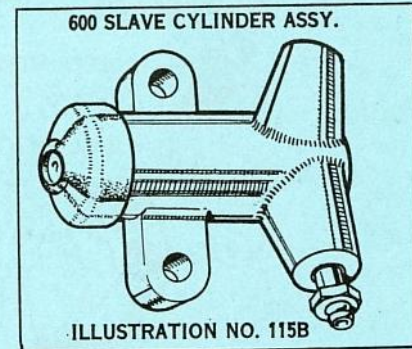
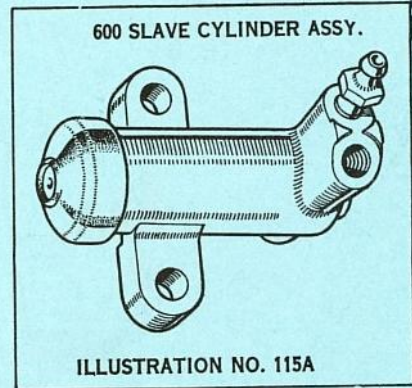
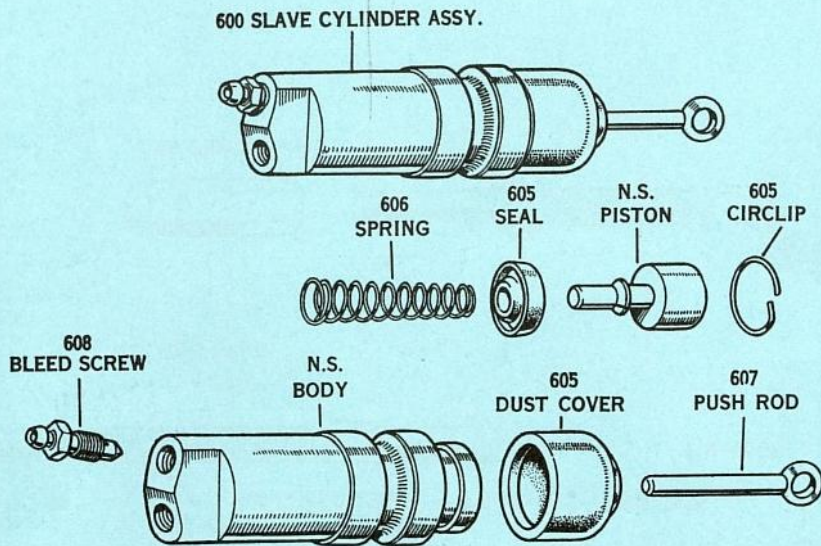


Illustration No. 115 (Issue 1)
(and Illustrations 115A and 115B—inset)

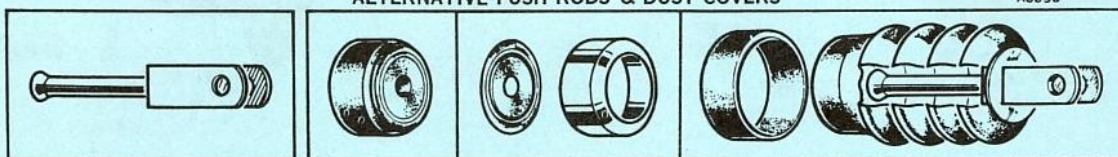
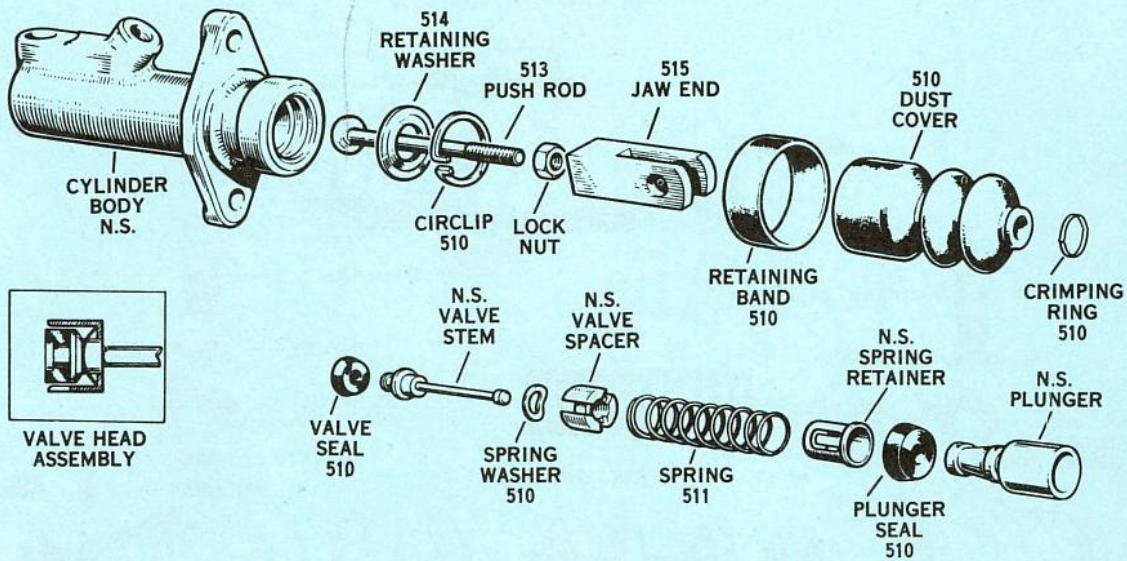


Illustration No. 119 (Issue 2)